

**SPECIFICATION:**

**1. STANDARD**

OPERATING TEMPERATURE RANGE:	0°C TO 65°C [32°F TO 149°F]
OPERATIONAL VOLTAGE:	4.2 - 5.5 VOLTS
CURRENT DRAW:	30 mA MAX
SENSOR HOUSING MATERIAL:	ABS, 10% GLASS-FILLED
SENSOR HOUSING COLOR:	BLACK
INTERFACE PLUG:	RJ45 COMPLIANT
INTERFACE PLUG HOUSING MATERIAL:	PC
INTERFACE PLUG HOUSING COLOR:	TRANSPARENT
CABLE COLOR:	BLACK
WORKMANSHIP STANDARD:	HARNESS TO BE MANUFACTURED TO IPC/WHMA-A-620 CLASS 2 STANDARDS

**2. ADDITIONAL:**

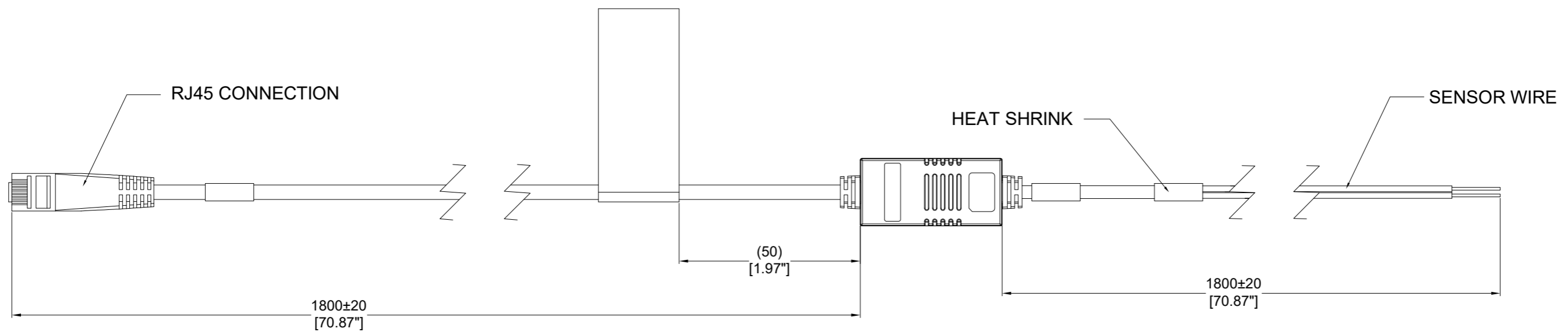
NONE

**3. ACCESSORY COMPONENTS:**

CABLE TIES, QTY:(5)  
 RJ45 QUICK DISCONNECT COUPLER, QTY:(1)  
 STANDARD ETHERNET EXTENSION CABLE QTY:(1)  
 ADHESIVE BACKED MOUNT, QTY:(5)  
 INSTALLATION GUIDE, QTY:(1)

**NOTES:**


1. PRIMARY DIMENSIONS ARE IN MILLIMETERS. SECONDARY DIMENSION ARE IN INCHES

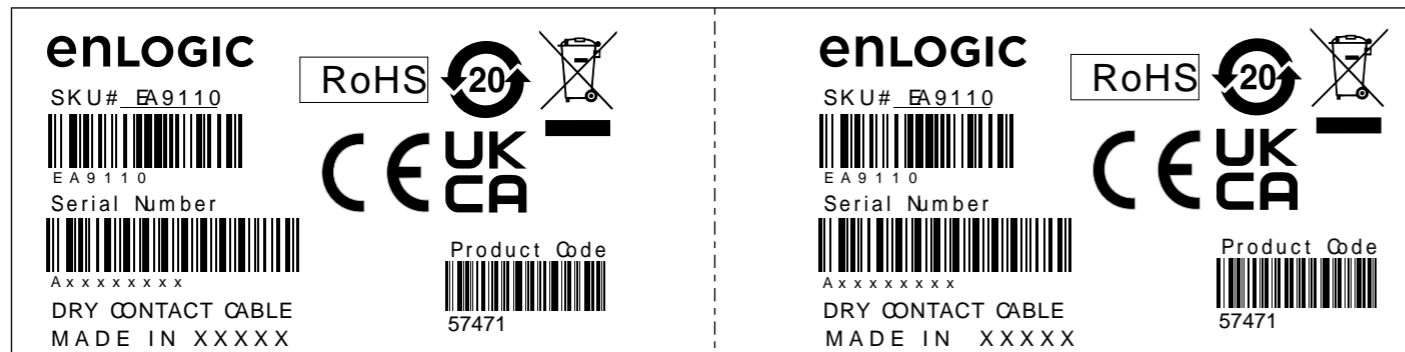


ECN/ECO	REV.	DESCRIPTION	DATE	APPROVED
	E1	INITIAL RELEASE	2022/07/07	Nate

**REVISIONS**

<b>TITLE :</b> DRY CONTACT CABLE  <b>PROJECT :</b> enLOGIC	UNLESS NOTED, DIMENSIONS ARE IN MILLIMETERS & TOLERANCES ARE: X ±1 MM X° ±1° X.X ±0.5 MM X.X° ±0.5° X ±0.20 MM Ø X.X ±0.3 MM Ø X.XX ±0.10 MM	<b>PART NO:</b> TA-EA9110	<b>REV.</b> E1
	BRACKETED DIMENSIONS ARE IN INCHES FOR REFERENCE ONLY THRID ANGLE PROJECTION INTERPRET PER ASME Y14.5M-1994	<b>DRAWN BY:</b> Nate <b>ENGINEER:</b> Nate <b>APPROVED BY:</b> Hanson	2022/07/07 2022/07/07 2022/07/07
	SCALE : N/A	SHEET 1 OF 2	<b>SIZE:</b> A3

  
 THIS DRAWING AND SPECIFICATIONS HEREIN ARE THE PROPERTY OF CIS GLOBAL AND SHALL NOT BE COPIED, REPRODUCED OR USED IN WHOLE OR IN PART, AS THE BASIS FOR THE MANUFACTURE OR SALE OF ITEMS WITHOUT WRITTEN PERMISSION FROM CIS GLOBAL. THIS DRAWING IS BASED UPON LATEST AVAILABLE INFORMATION AND IS SUBJECT TO CHANGE WITHOUT NOTICE

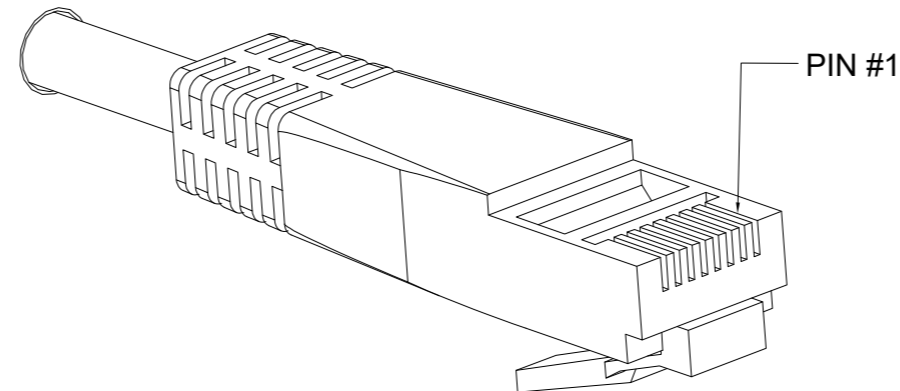


PRODUCT LABEL

NOTES:

- 1. PRODUCT LABEL:
  - MATERIAL: SYNTHETIC PAPER
  - COLOR: WHITE
  - TEXT COLOR: BLACK
  - TEXT FONT: ARIAL
- 2. BARCODE: CODE 128

Pin	Function
1	+5V
2	NC
3	NC
4	NC
5	Ground
6	RS485 A
7	RS485 B
8	Ground



RJ45 CONNECTION PIN-OUT

**enLOGIC** by nvent

THIS DRAWING AND SPECIFICATIONS HEREIN ARE THE PROPERTY OF CIS GLOBAL AND SHALL NOT BE COPIED, REPRODUCED OR USED IN WHOLE OR IN PART, AS THE BASIS FOR THE MANUFACTURE OR SALE OF ITEMS WITHOUT WRITTEN PERMISSION FROM CIS GLOBAL. THIS DRAWING IS BASED UPON LATEST AVAILABLE INFORMATION AND IS SUBJECT TO CHANGE WITHOUT NOTICE

	E1	INITIAL RELEASE	2022/07/07	Nate
ECN/ECO	REV.	DESCRIPTION	DATE	APPROVED
REVISIONS				
<b>TITLE :</b>		UNLESS NOTED, DIMENSIONS ARE IN MILLIMETERS & TOLERANCES ARE: X ±1 MM    X° ±1° X.X ±0.5 MM    X.X° ±0.5° X ±0.20 MM Ø X.X ±0.3 MM Ø X.XX ±0.10 MM BRACKETED DIMENSIONS ARE IN INCHES FOR REFERENCE ONLY THRID ANGLE PROJECTION INTERPRET PER ASME Y14.5M-1994	<b>PART NO:</b> TA-EA9110	
DRY CONTACT CABLE			<b>REV.</b> E1	
<b>PROJECT :</b>		<b>DRAWN BY:</b> Nate		2022/07/07
enLOGIC		<b>ENGINEER:</b> Nate		2022/07/07
		<b>APPROVED BY:</b> Hanson		2022/07/07
		SCALE : N/A		<b>SIZE:</b> SHEET 2 OF 2 A3