

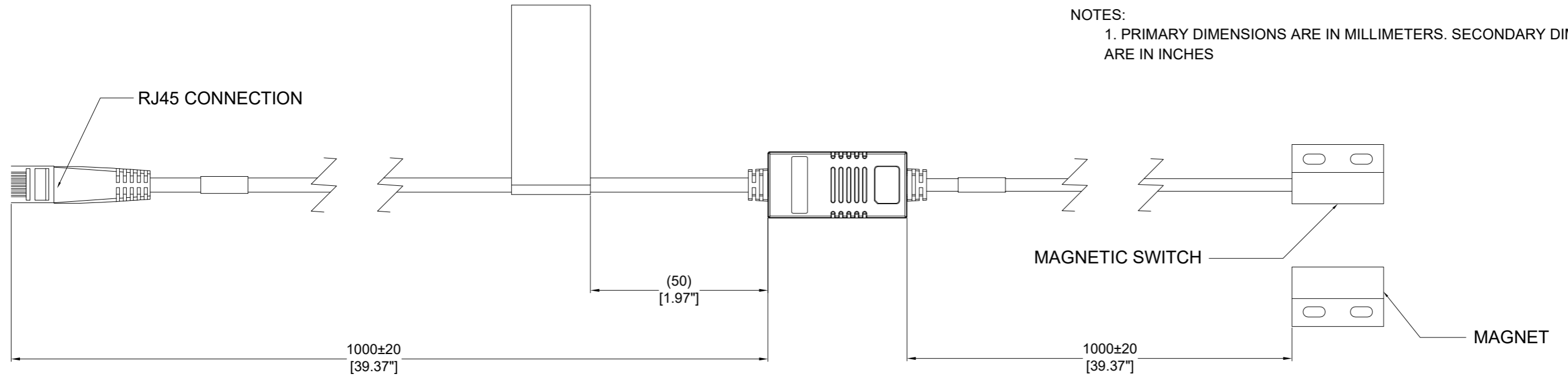
**SPECIFICATION:**

1. STANDARD

DOOR SENSOR:	NORMALLY OPEN
SWITCH CLOSE RANGE IN OPEN AIR:	20-30mm
SWITCH OPEN RANGE IN OPEN AIR:	20-32mm
OPERATING TEMPERATURE RANGE:	0°C TO 65°C [32°F TO 149°F]
OPERATIONAL VOLTAGE:	4.2 - 5.5 VOLTS
CURRENT DRAW:	30 mA MAX
SENSOR HOUSING MATERIAL:	ABS, 10% GLASS-FILLED
SENSOR HOUSING COLOR:	BLACK
INTERFACE PLUG:	RJ45 COMPLIANT
INTERFACE PLUG HOUSING MATERIAL:	PC
INTERFACE PLUG HOUSING COLOR:	TRANSPARENT
CABLE COLOR:	BLACK
WORKMANSHIP STANDARD:	HARNESS TO BE MANUFACTURED TO IPC/WHMA-A-620 CLASS 2 STANDARDS

2. ADDITIONAL:  
NONE
3. ACCESSORY COMPONENTS:  
MAGNET, QTY:(1)  
CABLE TIES, QTY:(5)  
RJ45 QUICK DISCONNECT COUPLER, QTY:(1)  
STANDARD ETHERNET EXTENSION CABLE, QTY:(1)  
DOUBLE-SIDED TAPE, QTY:(2)  
ADHESIVE BACKED MOUNT, QTY:(5)  
TAP SCREW, QTY:(4)  
INSTALLATION GUIDE, QTY:(1)

**NOTES:**  
1. PRIMARY DIMENSIONS ARE IN MILLIMETERS. SECONDARY DIMENSION ARE IN INCHES

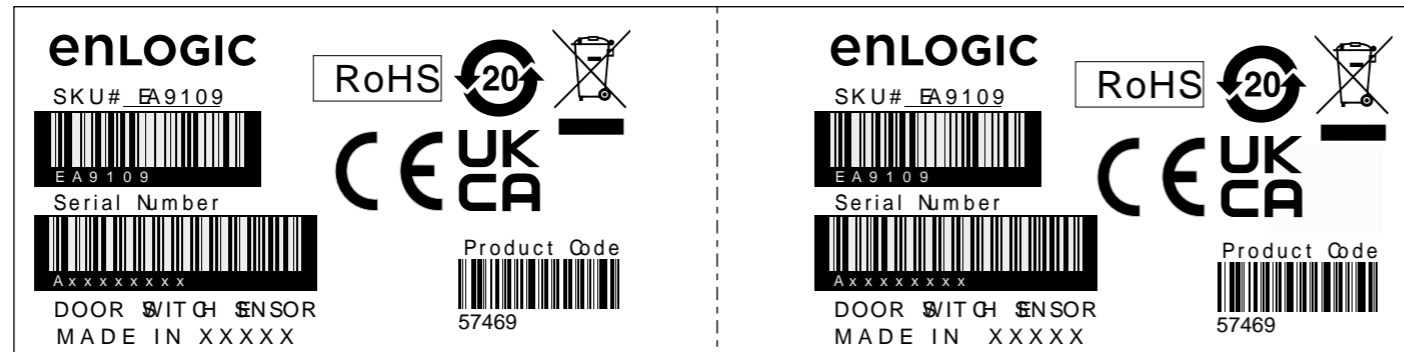


	E1	INITIAL RELEASE	2022/07/07	Nate
ECN/ECO	REV.	DESCRIPTION	DATE	APPROVED

REVISIONS				
<b>TITLE :</b>	UNLESS NOTED, DIMENSIONS ARE IN MILLIMETERS & TOLERANCES ARE:		<b>PART NO:</b>	<b>REV.</b>
DOOR SWITCH SENSOR	X ±1 MM	X° ±1°	TA-EA9109	E1
	X.X ±0.5 MM	X.X° ±0.5°	<b>DRAWN BY:</b> Nate	2022/07/07
	X ±0.20 MM		<b>ENGINEER:</b> Nate	2022/07/07
	Ø X.X ±0.3 MM		<b>APPROVED BY:</b> Hanson	2022/07/07
	Ø X.XX ±0.10 MM			
<b>PROJECT :</b>	BRACKETED DIMENSIONS ARE IN INCHES FOR REFERENCE ONLY		SCALE : N/A	SHEET 1 OF 2
enLOGIC	THIRD ANGLE PROJECTION			SIZE: A3
	INTERPRET PER ASME Y14.5M-1994			

**enLOGIC** by nvent

THIS DRAWING AND SPECIFICATIONS HEREIN ARE THE PROPERTY OF CIS GLOBAL AND SHALL NOT BE COPIED, REPRODUCED OR USED IN WHOLE OR IN PART, AS THE BASIS FOR THE MANUFACTURE OR SALE OF ITEMS WITHOUT WRITTEN PERMISSION FROM CIS GLOBAL. THIS DRAWING IS BASED UPON LATEST AVAILABLE INFORMATION AND IS SUBJECT TO CHANGE WITHOUT NOTICE

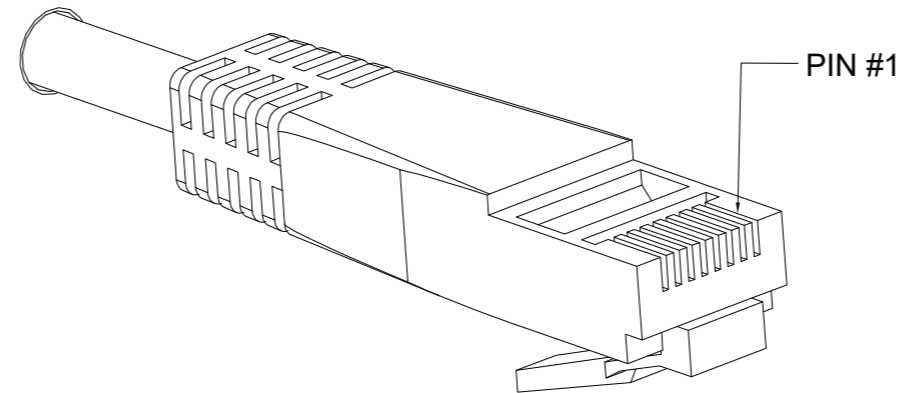


PRODUCT LABEL

NOTES:

- 1. PRODUCT LABEL:
  - MATERIAL: SYNTHETIC PAPER
  - COLOR: WHITE
  - TEXT COLOR: BLACK
  - TEXT FONT: ARIAL
- 2. BARCODE: CODE 128

Pin	Function
1	+5V
2	NC
3	NC
4	NC
5	Ground
6	RS485 A
7	RS485 B
8	Ground



RJ45 CONNECTION PIN-OUT

**enLOGIC** by nvent

THIS DRAWING AND SPECIFICATIONS HEREIN ARE THE PROPERTY OF CIS GLOBAL AND SHALL NOT BE COPIED, REPRODUCED OR USED IN WHOLE OR IN PART, AS THE BASIS FOR THE MANUFACTURE OR SALE OF ITEMS WITHOUT WRITTEN PERMISSION FROM CIS GLOBAL. THIS DRAWING IS BASED UPON LATEST AVAILABLE INFORMATION AND IS SUBJECT TO CHANGE WITHOUT NOTICE

ECN/ECO	REV.	DESCRIPTION	DATE	APPROVED
	E1	INITIAL RELEASE	2022/07/07	Nate
REVISIONS				
<b>TITLE :</b>		UNLESS NOTED, DIMENSIONS ARE IN MILLIMETERS & TOLERANCES ARE: X ±1 MM    X° ±1° X.X ±0.5 MM    X.X° ±0.5° X ±0.20 MM Ø X.X ±0.3 MM Ø X.XX ±0.10 MM BRACKETED DIMENSIONS ARE IN INCHES FOR REFERENCE ONLY THRID ANGLE PROJECTION INTERPRET PER ASME Y14.5M-1994	<b>PART NO:</b> TA-EA9109	
<b>DOOR SWITCH SENSOR</b>			<b>REV.:</b> E1	
<b>PROJECT :</b> enLOGIC		<b>DRAWN BY:</b> Nate		2022/07/07
		<b>ENGINEER:</b> Nate		2022/07/07
		<b>APPROVED BY:</b> Hanson		2022/07/07
		SCALE : N/A		SHEET 2 OF 2
				SIZE: A3