

# Series 29 Lok-Tainer

CONNECT AND PROTECT



### WEIGHT

.97g/cm (.087 oz/in)

### RECOMMENDED TORQUE

17.7 N-cm (25 in-oz)

### MATERIALS AND FINISH

#### HOUSING

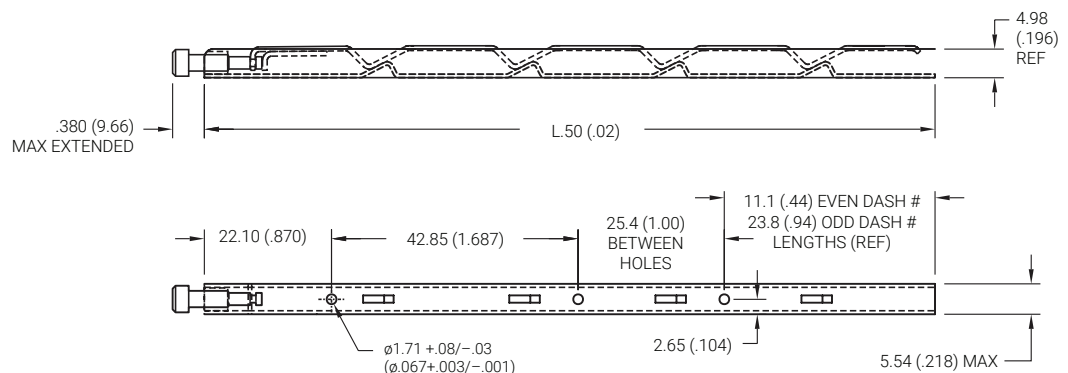
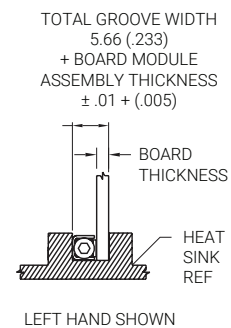
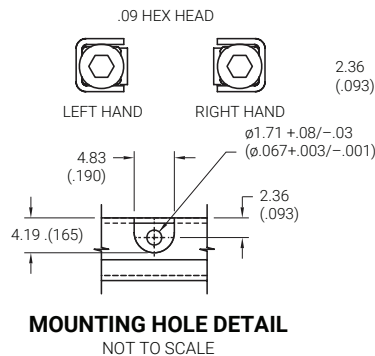
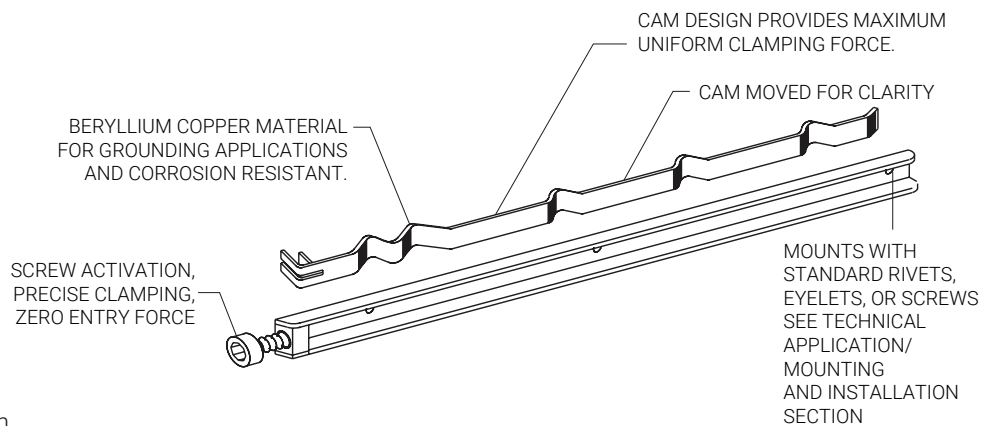
- **Material:** .025-in. (.64-mm) thick Beryllium Copper per QQ-C- 533 or .024-in. (.61-mm) thick Cold Rolled Steel per ASTM A-366
- **Finish:** See finish table on opposite page

#### CAM

- **Material:** Beryllium Copper per QQ-C-533
- **Finish:** See finish table on opposite page

#### SCREW

- **Material:** Stainless steel
- **Finish:** Passivated



<b>Part Number Code</b>	
Series 29 LOK-TAINER Screw-Actuated	
	29 B-10-5
<b>Housing Material</b>	B
Beryllium Copper _____ or select from Materials Table	
<b>Length</b>	
Length in 12.7 (.50) increments _____ 6 [76.2 (3.00)] _____ to 24 [304.8 (12.00)]	
<b>Finish</b>	5
Gold Plate _____ or select from Finish Table	

**Part Number Code example: 29B-12-6**

Series 29 Screw-actuated LOK-TAINER, Beryllium Copper housing, 152.4-mm (6.00-in. ) long, nickel plate finish

**FINISH TABLE**

Code Letter	Material
B	BERYLLIUM COPPER, 1/4H PER ASTM-B-194
S	STEEL PER ASTM-A-366

**FINISH TABLE**

Dash #	
[Blank]	SILVER PLATE PER QQ-S-365, TYPE III, GRADE A
-1	NONE
-2	EBANOL PER MIL-F-495 FOR BERYLLIUM COPPER PER MIL-C-13924 FOR STEEL
-3	CADMIUM PER QQ-P-416, TYPE 2, CLASS 2
-4	COPPER PLATE PER MIL-C-14550, CLASS 2
-5	GOLD PLATE PER MIL-G-45204, TYPE 1, GLASS 1
-6	NICKEL PLATE PER QQ-N-290, CLASS 1, GRADE G, BRIGHT
-7	ZINC PLATE CLEAR CHROMATE, PER ASTM-B-633, Fe/Zn 8
-8	ZINC PLATE YELLOW CHROMATE, PER ASTM-B-633, Fe/Zn 8
<b>NOTE:</b>	NO FINISH (-1) NOT AVAILBLE WITH "S" STEEL MATERIAL

**nVent SCHROFF, Inc.**

7328 Trade Street San Diego,  
CA 92121 USA  
+1 800-525-4682

**BIRTCHER™**



Our powerful portfolio of brands:

**CADDY ERICO HOFFMAN RAYCHEM SCHROFF TRACER**