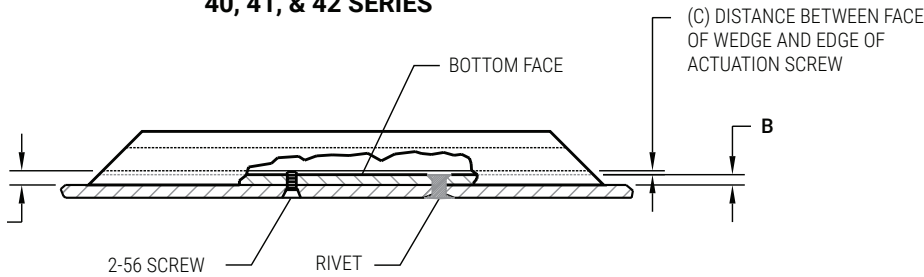


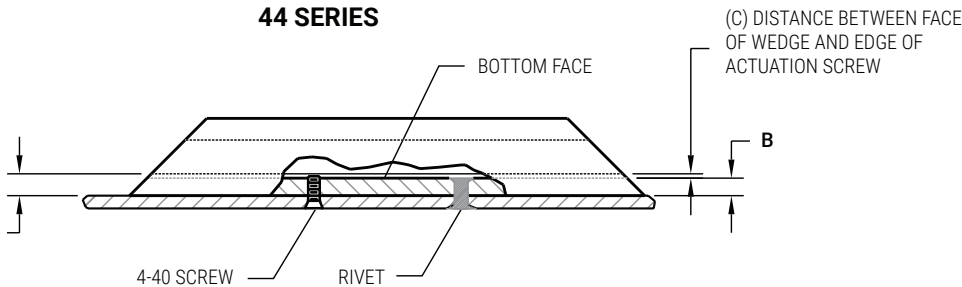
Mounting and Installation

CONNECT AND PROTECT

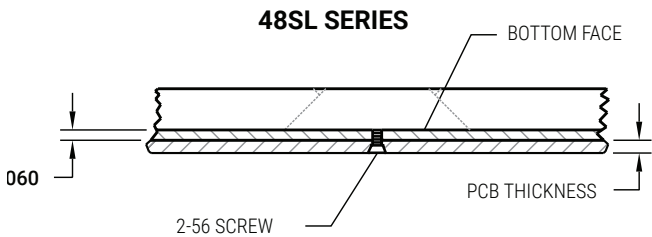
40, 41, & 42 SERIES



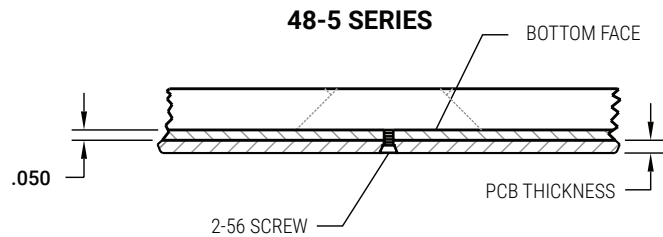
44 SERIES



48SL SERIES



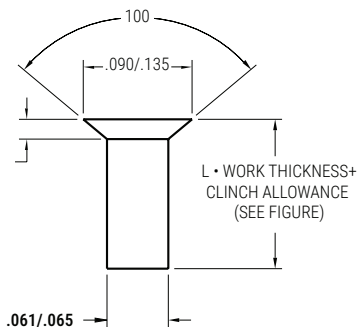
48-5 SERIES



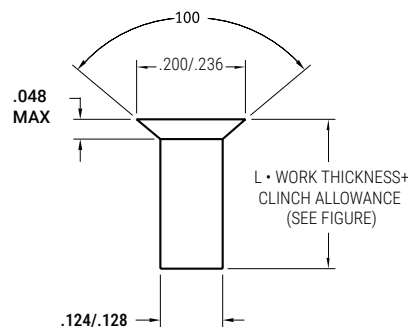
CLEARANCE TABLE

SERIES	A	B	C
40, 45	0.69	.050	.019
41	.050	.045	.005
42	.049	.045	.004
44	.106	.085	.021

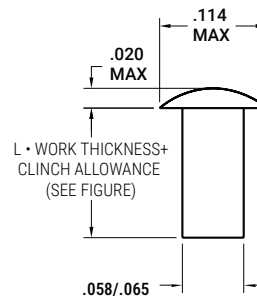
SCEW LENGTH AND HEAD STYLE DEPEND ON DETAILS OF THE APPLICATION. IN GENERAL, THE SCREW SHOULD NOT EXTEND BEYOND THE BOTTOM FACE OF THE WEDGE BODY.



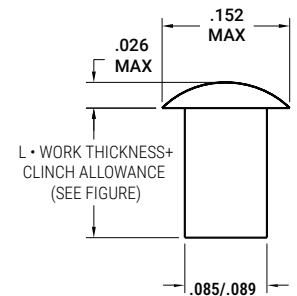
FOR RIVET MOUNTED SERIES
40, 41, & 42 WEDGE-LOKS



FOR RIVET MOUNTED SERIES
44 WEDGE-LOKS

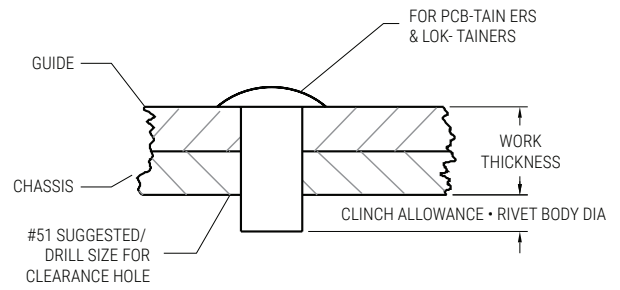
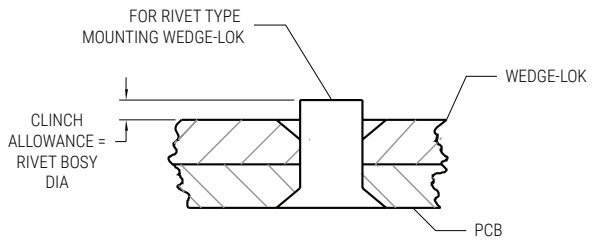


RIVET MOUNTING FOR ALL
PCB-TAINERS & LOK-TAINERS



RIVET MOUNTING FOR
15-20 SERIES

SUGGESTED RIVET DIMENSIONS



nVent SCHROFF, Inc.

7328 Trade Street
 San Diego, CA 92121 USA
 +1 800-525-4682



Our powerful portfolio of brands:

CADDY ERICO HOFFMAN RAYCHEM SCHROFF TRACER