

Series 260HC Card-Lok

CONNECT AND PROTECT



RECOMMENDED GAP WIDTH

PCB + 7.62 mm (.300 in)

RECOMMENDED TORQUE

68 N-cm (6 in-lbs) With "L" option 90 N-cm (8 in-lbs)

WEIGHT

.95 g/cm (.085 oz/in)

MATERIALS AND FINISH

BODIES AND WEDGES

- **Material:** Aluminum Alloy 6061-T6 per ASTM-B221 or AMS-QQ-A-200/8
- **Finish:** See finish table on opposite page

SHAFT

- **Material:** Aluminum Alloy 6061-T6 per ASTM-B221 or AMS-QQ-A-200/8
- **Finish:** See finish table on opposite page

SCREW

.09-in. or 2.5-mm hex. socket head

- **Material:** 300 series stainless steel with dry film lube per MIL-L-46010
- **Finish:** Passivated per AMS2700

LOCK WASHER

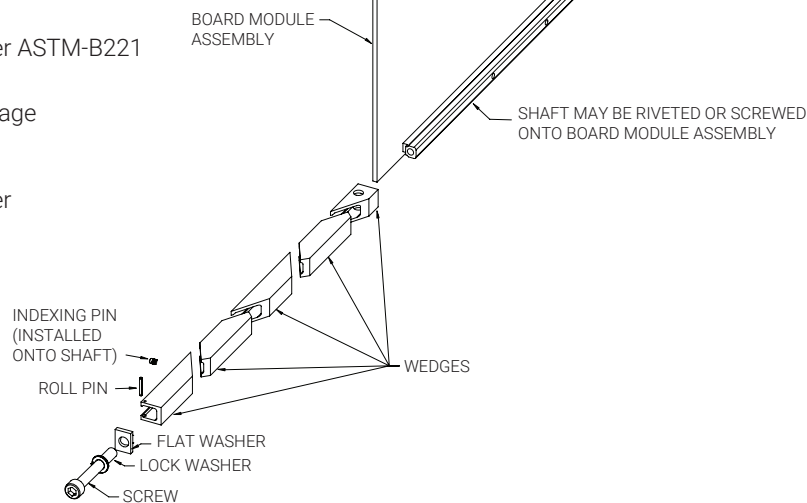
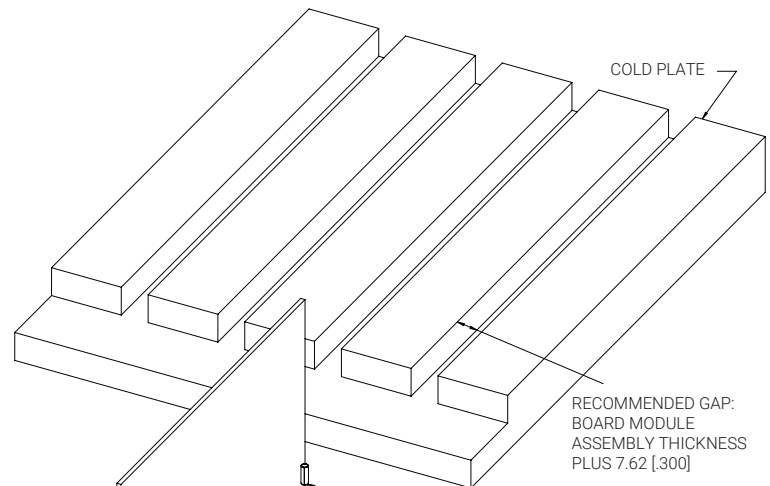
- **Material:** MS35338-135
- **Finish:** Passivated per AMS2700

ROLL PIN

- **Material:** 400 series stainless steel
- **Finish:** Passivated per AMS2700

INDEXING PIN

- **Material:** Aluminum Alloy 6061-T6
- **Finish:** See finish table on opposite page



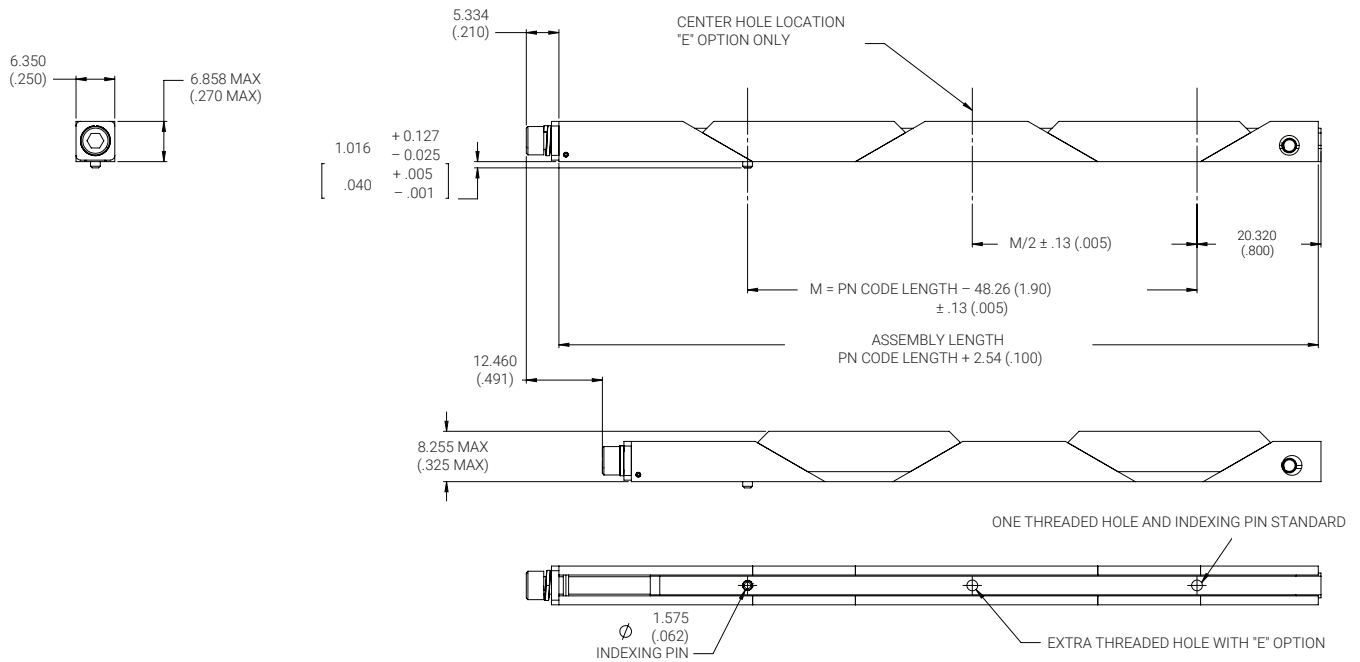
Detail "V"
Provides visual lock indication.



Lock element per MIL-F-18240 applied to thread of screw

Detail "L"
Provides prevailing torque for resistance to loosening from shock and vibration. Adds 22 N-cm (2 in-lbs) torque to assembly.

SERIES 260HC CARD-LOK



Part Number Code
Series 260 HC Card-Lok Five Piece

M V A 260HC - 3.80 E H L

Prefix options

Metric Screw Head M2.5 Hex Drive **M**

Standard Screw Head 3/32

Hex Drive **[blank]**

Visual Indicator **V**

No Visual Indicator **[blank]**

Black Anodize **A**

or choose from Finish Table **see table**

Suffix options

Length in 12.7 (.50) increments **96.52 (3.80)**
to 172.72(6.80)

Additional Center Mounting Hole **E**

None **[blank]**

Mounting Options - holes for rivet mounting **H**

or choose from Mounting Option Table **see table**

Lock Element **L**

None **[blank]**

Part Number Code Example:

MVA26 HC-3.80ET2L
 Series 260HC Card-Lok five piece 96.52 (3.80) long black anodized with M2.5 hex drive, visual indicator, mounting holes tapped for 2-56 thread, with locking element.

FINISH TABLE

Code Letter	Finish
"A"	Black Anodize per Mil-A-8625 Type II, Class 2
"HA"	Hard Black Anodize per Mil-A-8625 Type III, Class 2
"EN"	Electroless Nickel per Mil-C-26074 Class 4, Grade B, Bright

MOUNTING METHOD TABLE

Code Letter	Method
"H"	Ø1.73/1.85 (.068/.073) dia. through holes countersink 100° x 1.50 (.060) deep
"T0"	0-80 tapped hole
"T2"	2-56 tapped hole
"TM2"	M2 x 0.40 tapped hole
"TM2.5"	M2.5 x 0.45 tapped hole

nVent SCHROFF, Inc.

7328 Trade Street San Diego,
 CA 92121 USA
 +1 800-525-4682



Our powerful portfolio of brands:

CADDY ERICO HOFFMAN RAYCHEM SCHROFF TRACER