

Series 37-6 PCB-Tainer

CONNECT AND PROTECT



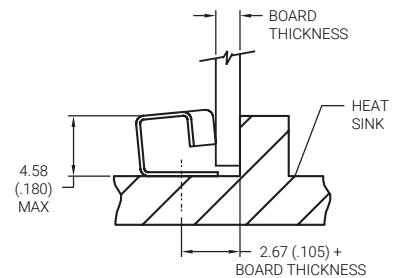
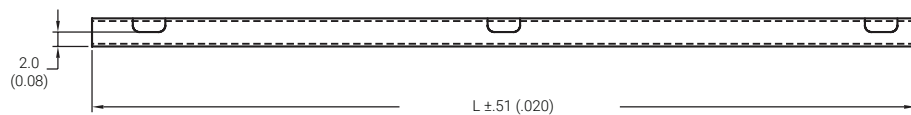
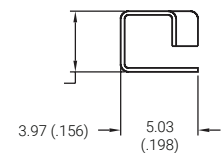
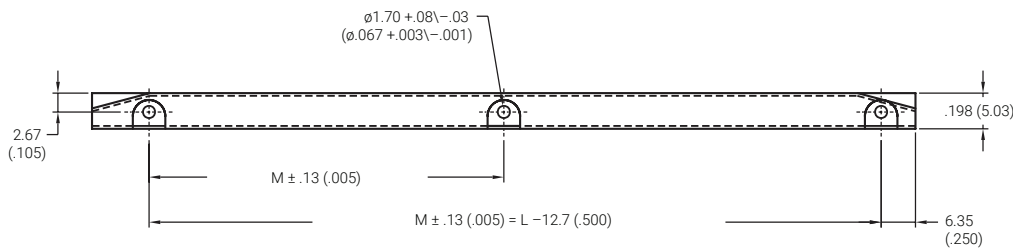
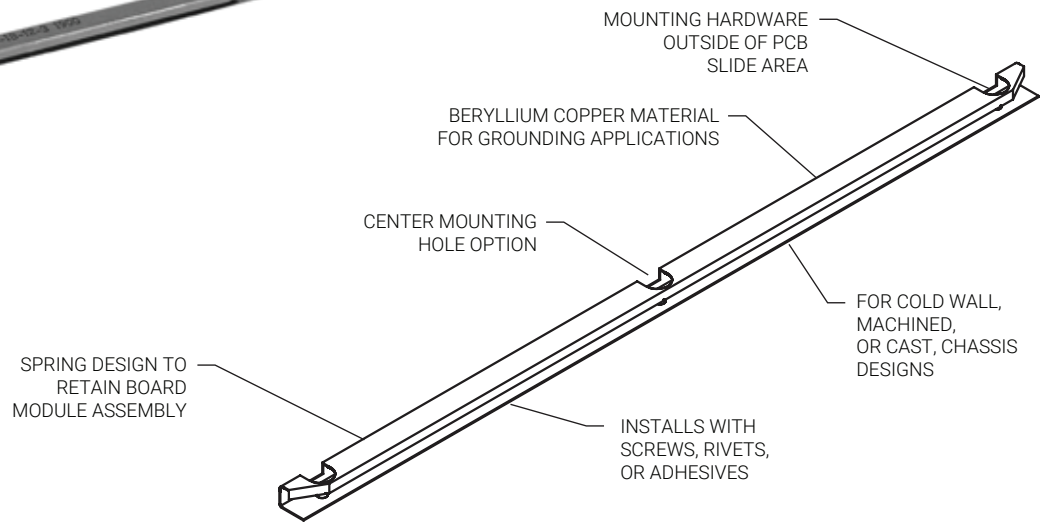
WEIGHT

0.37 g/cm (.033 oz./in.)

MATERIALS AND FINISH

HOUSING

- **Material:** .005-in. (.13-mm) thick Beryllium Copper per ASTM B-194 or Stainless Steel per MIL-S-5059
- **Finish:** See finish table on opposite page



Units: mm (in)
 Unless specified otherwise,
 .xx = ± .25, x = ± .5
 (.xxx = ±.010, .xx = ± .02)

Part Number Code Series 37-1 PCB-TAINER	37	C	-	1	-	B	-	10	-	5
Center Mounting Hole: Center Mounting Hole option: _____ C None: _____ [Blank]										
Material Beryllium Copper _____ B										
Length Length in 12.7 (.50) increments _____ 2 [25.4 (1.00)] _____ to 12 [152.4 (6.00)]										
Finish Gold Plate _____ 5 No dash number required for CR material. Stainless steel parts are passivated only.										

Part Number Code example:

37C-6BH-10-8

Series 37-6 PCB-TAINER, with center mounting hole option, heat-treated beryllium copper, 127.0-mm (5.00-in.) long, zinc plate yellow chromate finish.

MATERIALS TABLE

CODE LETTER	MATERIAL
B	BERYLLIUM COPPER, 1/4H PER ASTM-B-194
BH	BERYLLIUM COPPER, 1/4HT PER QQ-C-533, HEAT TREATED
CR	STAINLESS STEEL, TYPE 301 COND 1/4 H PER AMS 5517

FINISH TABLE

DASH #	
[Blank]	SILVER PLATE PER QQ-S-365, TYPE III, GRADE A
-1	NONE
-2	EBANOL PER MIL-F-495 FOR BERYLLIUM COPPER PER MIL-C-13924 FOR STEEL
-3	CADMIUM PER QQ-P-416, TYPE 2, CLASS 2
-4	COPPER PLATE PER MIL-C-14550, CLASS 2
-5	GOLD PLATE PER MIL-G-45204, TYPE 1, GLASS 1
-6	NICKEL PLATE PER QQ-N-290, CLASS 1, GRADE G, BRIGHT
-7	ZINC PLATE CLEAR CHROMATE, PER ASTM-B-633, Fe/Zn 8
-8	ZINC PLATE YELLOW CHROMATE, PER ASTM-B-633, Fe/Zn 8

nVent SCHROFF, Inc.

7328 Trade Street San Diego,
CA 92121 USA
+1 800-525-4682

BIRTCHER™



Our powerful portfolio of brands:

CADDY ERICO HOFFMAN RAYCHEM SCHROFF TRACER