

# Series 340 Wedge-Tainer



SCHROFF

CONNECT AND PROTECT



## RECOMMENDED TORQUE

80 N-cm (7 in-lbs)

## WEIGHT

2.65 g/cm (.224 oz/in)

## MATERIALS AND FINISH

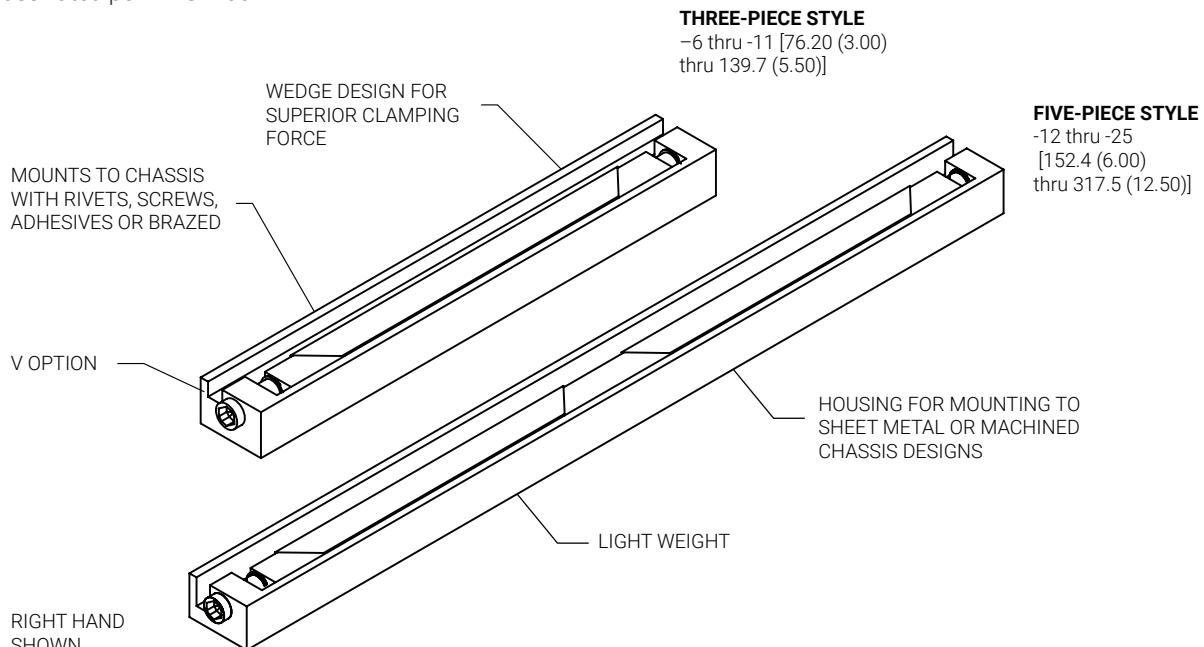
### WEDGES AND HOUSING

- **Material:** Aluminum Alloy 6061-T6 per ASTM-B221 or AMS-QQ-A-200/8
- **Finish:** See finish table on opposite page

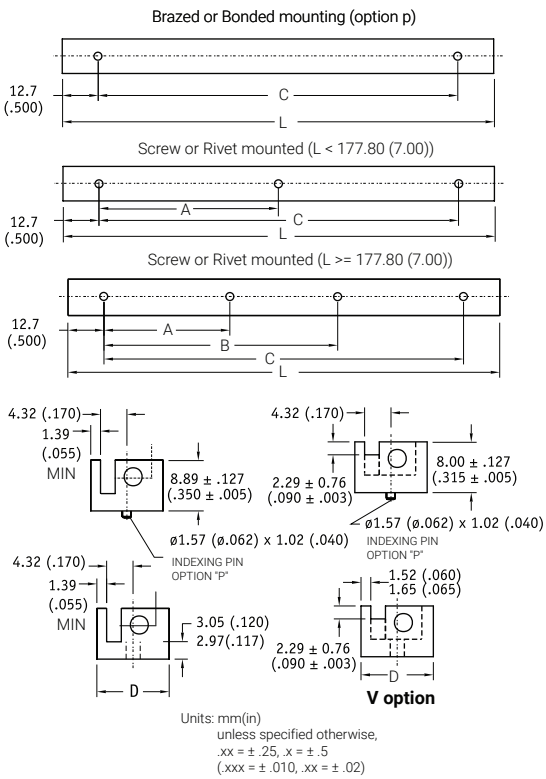
### SCREW

.09-in. or 2.5-mm hex. socket head cap screw, depending on mounting configuration

- **Material:** Series 300 stainless steel per Se QQ-S-763 ASTM A-582
- **Finish:** Passivated per AMS2700



**SERIES 340 WEDGE-TAINER**



| MOUNTING DIMENSIONS TABLE                              |                |               |                |                 |        |       |        |
|--|----------------|---------------|----------------|-----------------|--------|-------|--------|
| -6 THRU -11 ARE THREE-PIECE, -12 AND UP ARE FIVE-PIECE |                |               |                |                 |        |       |        |
| DASH #   | L              | A             | B              | NUMBER OF HOLES |        |       |        |
|  |                |               |                | C               | TAPPED | RIVET | BRAZED |
| -06  | 3.00 (76.20)   | 1.000 (25.40) | ---            | 2.000 (50.80)   | 3      | 3     | 2      |
| -07  | 3.50 (88.90)   | 1.250 (31.75) | ---            | 2.500 (63.50)   | 3      | 3     | 2      |
| -08  | 4.00 (101.60)  | 1.500 (38.10) | ---            | 3.000 (76.20)   | 3      | 3     | 2      |
| -09  | 4.50 (114.30)  | 1.750 (44.45) | ---            | 3.500 (88.90)   | 3      | 3     | 2      |
| -10  | 5.00 (127.00)  | 2.000 (50.80) | ---            | 4.000 (101.60)  | 3      | 3     | 2      |
| -11  | 5.50 (139.70)  | 2.250 (57.15) | ---            | 4.500 (114.30)  | 3      | 3     | 2      |
| -12  | 6.00 (152.40)  | 2.500 (63.50) | ---            | 5.000 (127.00)  | 3      | 3     | 2      |
| -13  | 6.50 (165.10)  | 2.750 (69.85) | ---            | 5.500 (139.70)  | 3      | 3     | 2      |
| -14  | 7.00 (177.80)  | 2.000 (50.80) | 4.000 (101.60) | 6.000 (152.40)  | 4      | 4     | 2      |
| -15  | 7.50 (190.60)  | 2.250 (57.15) | 4.250 (107.95) | 6.500 (165.10)  | 4      | 4     | 2      |
| -16  | 8.00 (203.30)  | 2.250 (57.15) | 4.750 (120.65) | 7.000 (177.80)  | 4      | 4     | 2      |
| -17  | 8.50 (216.00)  | 2.500 (63.50) | 5.000 (127.00) | 7.500 (190.60)  | 4      | 4     | 2      |
| -18  | 9.00 (228.70)  | 2.500 (63.50) | 5.500 (139.70) | 8.000 (203.30)  | 4      | 4     | 2      |
| -19  | 9.50 (241.40)  | 2.750 (69.85) | 5.750 (146.05) | 8.500 (216.00)  | 4      | 4     | 2      |
| -20  | 10.00 (254.10) | 3.000 (76.20) | 6.000 (152.40) | 9.000 (228.70)  | 4      | 4     | 2      |
| -21  | 10.50 (266.80) | 3.250 (82.55) | 6.250 (158.75) | 9.500 (241.40)  | 4      | 4     | 2      |
| -22  | 11.00 (279.50) | 3.250 (82.55) | 6.750 (171.45) | 10.000 (254.10) | 4      | 4     | 2      |
| -23  | 11.50 (292.20) | 3.500 (88.90) | 7.000 (177.80) | 10.500 (266.80) | 4      | 4     | 2      |
| -24  | 12.00 (304.90) | 3.500 (88.90) | 7.500 (190.50) | 11.000 (279.50) | 4      | 4     | 2      |
| -25  | 12.50 (317.60) | 3.750 (95.25) | 7.750 (196.85) | 11.500 (292.20) | 4      | 4     | 2      |

Part Number Code

Series 340 & Series V340 WEDGE-TAINER

V for eurocard style board like VME or cPCI \_\_\_\_\_ V or not \_\_\_\_\_ [Blank]

**Screw Action**  
 Left hand \_\_\_\_\_ L Right hand \_\_\_\_\_ R

**Board Thickness**  
 1.52 (.060) - 2.39 (.094) \_\_\_\_\_ 100 Or choose from board thickness table

**Mounting Method**  
 4-40 UNC02B tapped holes \_\_\_\_\_ S Or choose from mounting table

Length  
 Length in 12.7 (.500) increments \_\_\_\_\_ 06 [76.2 (3.00)] \_\_\_\_\_ to 25 [317.5 (12.50)]

Finish  
 Black Anodized \_\_\_\_\_ B Or choose from finish table

V 340 L - 100 S - 10 B

**Part Number Code example:**  
**340L-100M-12N**

Series 340 WEDGE-TAINER, left handed, for 1.52- 2.39mm (.060-.094-in.) thick board, M3 metric screw mounting, 152.4-mm (6.00-in.) long, nickel plate nish.

**FINISH TABLE**

| DASH # | THICKNESS                 | D            |
|--------|---------------------------|--------------|
| -100   | 1.52 (.060) - 2.39 (0.94) | 12.19 (.480) |
| -150   | 2.79 (.95) - 3.68 (.145)  | 13.46 (.530) |
| -175   | 3.30 (.130) - 4.19 (.165) | 13.46 (.530) |

**MOUNTING METHOD TABLE**

| CODE LETTER | METHOD   |
|-------------|--|
| R           | RIVET MOUNT (Ø 2.48 (.098) THRU Ø4.55 (.179) X 100°) |
| A           | NO MOUNTING HOLES                                    |
| S           | 4-40 UNC-2B TAPPED HOLE                              |
| M           | M3 X 0.50 TAPPED HOLE                                |
| NOTE        | RIVET (R) PARTS ARE SHIPPED UNASSEMBLED              |

**FINISH TABLE**

| CODE LETTER | SURFACE FINISH   |
|-------------|--|
| C           | CHEMICAL FILM PER MIL-C-5541, CLASS 1A, GOLD, NON ROHS COMPLIANT |
| CC          | CHEMICAL FILM PER MIL-C-5541, CLASS 1A, CLEAR                    |
| EN          | ELECTROLESS NICKEL PER MIL-C-26074, CLASS 4, GRADE B, BRIGHT     |
| N           | NICKEL PLATE PER QQ-N-290, CLASS 1, GRADE G, BRIGHT              |
| B           | BLACK ANODIZE PER MIL-A-8625, TYPE II, CLASS 2                   |
| B3          | HARD BLACK ANODIZE PER MIL-A-8625, TYPE III, CLASS 2             |
| B3D         | HARD BLACK ANODIZE WITH DRY FILM LUBE PER MIL-L46010             |

**nVent SCHROFF, Inc.**  
 7328 Trade Street San Diego, CA 92121 USA  
 +1 800-525-4682

**CALMARK™**



Our powerful portfolio of brands:  
**CADDY ERICO HOFFMAN RAYCHEM SCHROFF TRACER**