

Series 18 PCB-Tainer

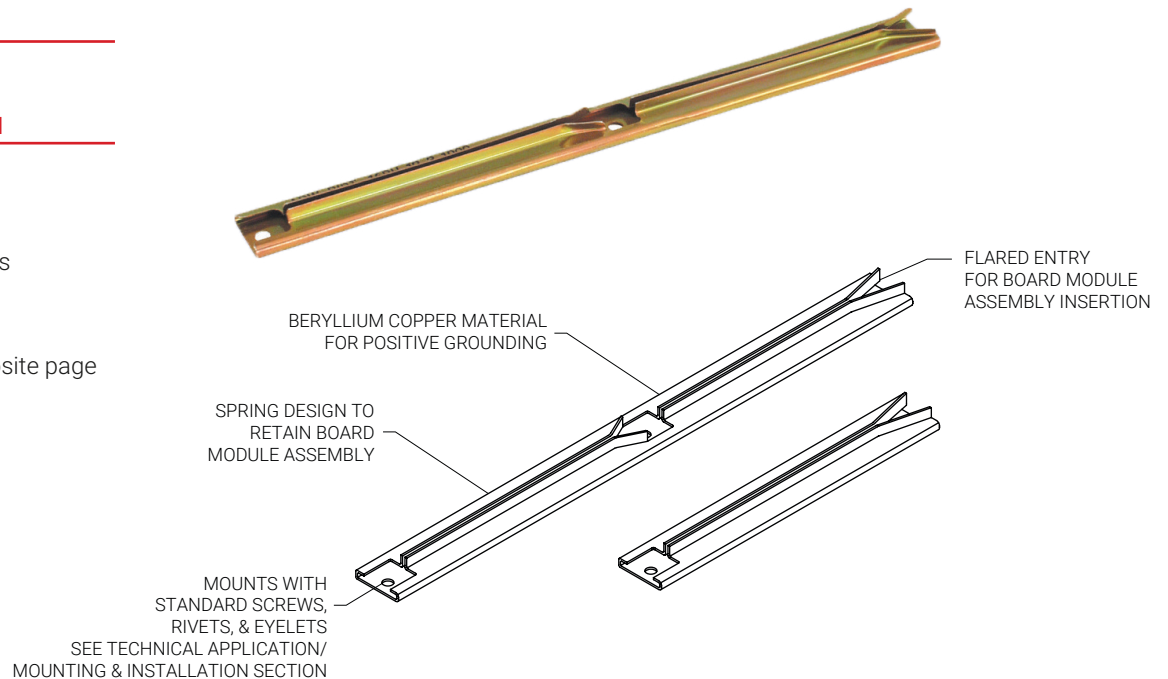
CONNECT AND PROTECT

WEIGHT

0.63 g/cm (.056 oz./in.)

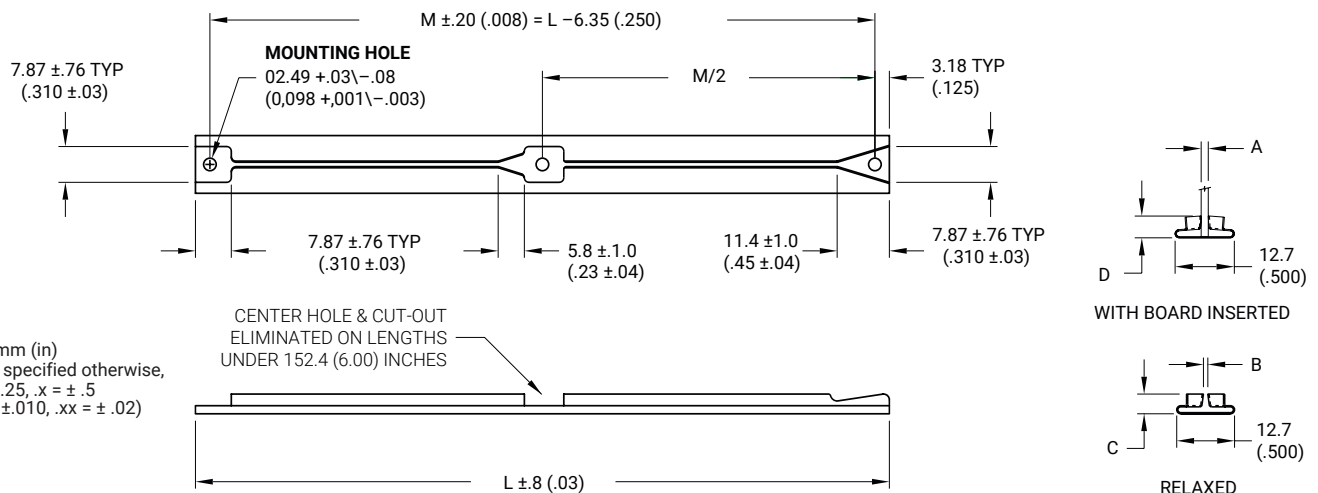
MATERIALS AND FINISH

- **Material:**
 .010-in. (.25-mm)
 Beryllium Copper per
 ASTM B-194 or Stainless
 Steel per Mil-S-5059
- **Finish:**
 See finish table on opposite page



DIMENSION TABLE

SERIES #	A BOARD THICKNESS	B	C	D BERYLLIUM COPPER +.25\-.51 (+.010\-.020)	D STAINLESS STEEL .51 (.020)	F MOUNTING HOLE +.03\-.08 (.001 \-.003)
18	2.38 (.094)	1.73 (.068)	4.35 (.171)	4.83 (.190)	4.83 (.190)	2.49 (.098)



SERIES 18 PCB-TAINER

MATERIALS TABLE

CODE LETTER	MATERIAL
B	BERYLLIUM COPPER, 1/4H PER ASTM-B-194
BH	BERYLLIUM COPPER, 1/4HT PER QQ-C-533, HEAT TREATED
CR	STAINLESS STEEL, TYPE 301 COND 1/4 H PER AMS 5517

FINISH TABLE

DASH #	
[blank]	SILVER PLATE PER QQ-S-365, TYPE III, GRADE A
-1	NONE
-3	CADMIUM PER QQ-P-416, TYPE 2, CLASS 2
-4	COPPER PLATE PER MIL-C-14550, CLASS 2
-5	GOLD PLATE PER MIL-G-45204, TYPE 1, GLASS 1
-6	NICKEL PLATE PER QQ-N-290, CLASS 1, GRADE G, BRIGHT
-7	ZINC PLATE CLEAR CHROMATE, PER ASTM-B-633, Fe/Zn 8
-8	ZINC PLATE YELLOW CHROMATE, PER ASTM-B-633, Fe/Zn 8

Part Number Code

Series 18 PCB-TAINER

18 B-10-5

Material
Beryllium Copper _____ **B**
or select from Materials Table

Length
Length in 12.7 (.50) increments _____ 4 [50.8 (2.00)]
_____ to 20 [254.0 (10.00)]

Finish
Gold Plate _____ **5**
or select from Finish Table

No dash number required for CR material. Stainless steel parts are passivated only.

Part Number Code example: 18B-18-6

18 Series PCB-TAINER, Beryllium Copper, for 1.59-mm (.063-in.) thick board, 228.7-mm (9.00-in.) long, Nickel Plate finish.

nVent SCHROFF, Inc.

7328 Trade Street
San Diego, CA 92121 USA
+1 800-525-4682

CALMARK™



Our powerful portfolio of brands:

CADDY ERICO HOFFMAN RAYCHEM SCHROFF TRACER