

# Series 15 PCB-Tainer

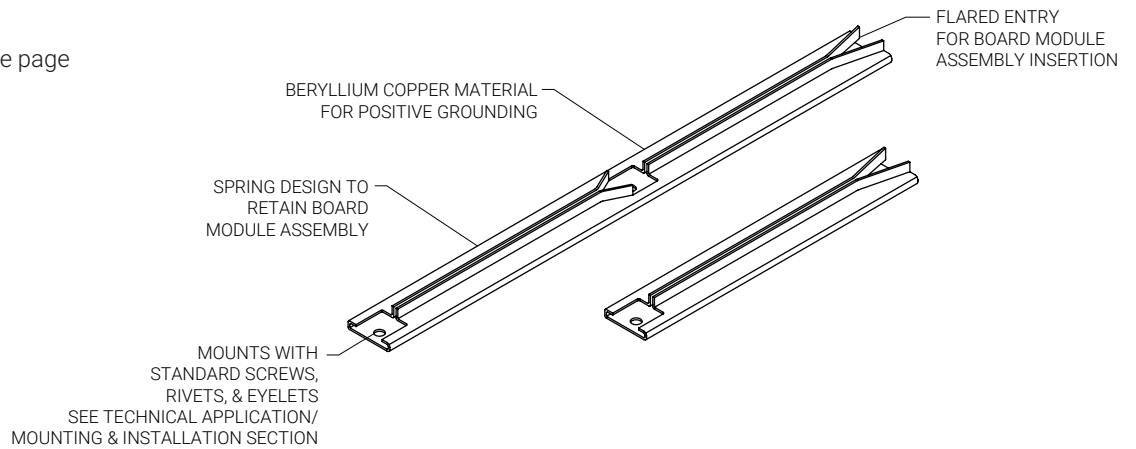
CONNECT AND PROTECT

## WEIGHT

0.63 g/cm (.056 oz./in. )

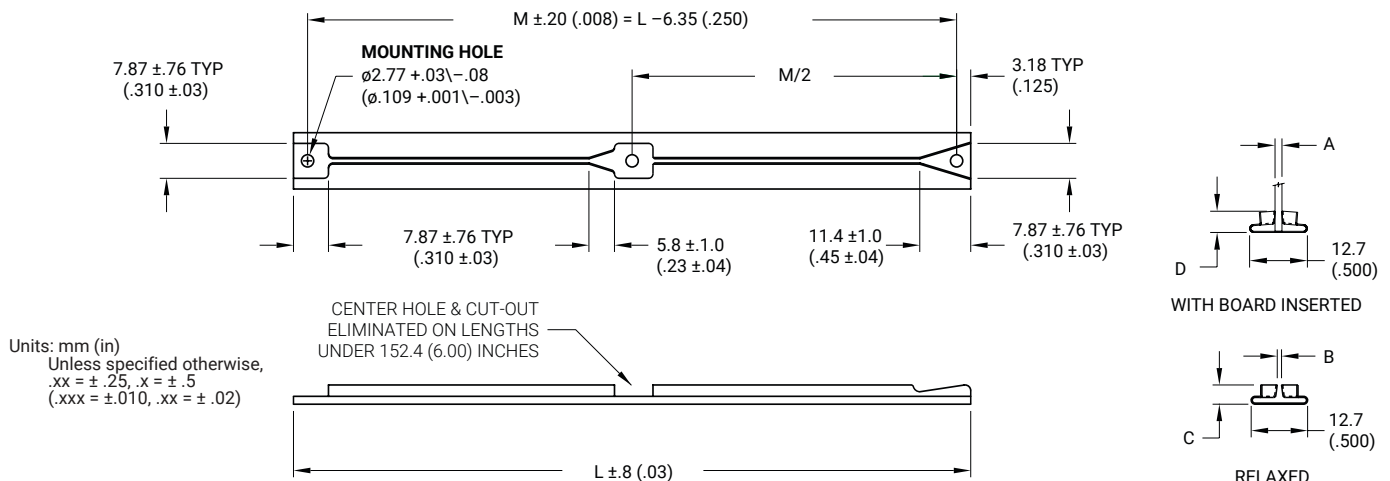
## MATERIALS AND FINISH

- **Material:**  
.010-in.(.25-mm) Beryllium Copper per ASTM B-194 or  
Stainless Steel per Mil-S-5059
- **Finish:**  
See finish table on opposite page



**DIMENSION TABLE**

SERIES #	A BOARD THICKNESS	B	C	D BERYLLIUM COPPER +.25\-.51 (+.010\-.020)	D STAINLESS STEEL .51 (.020)	F MOUNTING HOLE +.03\-.08 (.001 \-.003)
15	1.59 (.063)	0.97 (.038)	4.35 (.171)	4.83 (.190)	4.83 (.190)	2.77 (.109)



**SERIES 15 PCB-TAINER**

**MATERIALS TABLE**

CODE LETTER	MATERIAL
B	BERYLLIUM COPPER, 1/4H PER ASTM-B-194
BH	BERYLLIUM COPPER, 1/4HT PER QQ-C-533, HEAT TREATED
CR	STAINLESS STEEL, TYPE 301 COND 1/4 H PER AMS 5517

**FINISH TABLE**

DASH #	
[blank]	SILVER PLATE PER QQ-S-365, TYPE III, GRADE A
-1	NONE
-3	CADMIUM PER QQ-P-416, TYPE 2, CLASS 2
-4	COPPER PLATE PER MIL-C-14550, CLASS 2
-5	GOLD PLATE PER MIL-G-45204, TYPE 1, GLASS 1
-6	NICKEL PLATE PER QQ-N-290, CLASS 1, GRADE G, BRIGHT
-7	ZINC PLATE CLEAR CHROMATE, PER ASTM-B-633, Fe/Zn 8
-8	ZINC PLATE YELLOW CHROMATE, PER ASTM-B-633, Fe/Zn 8

**Part Number Code**

**Series 15 PCB-TAINER** 15 B-10-5

**Material**  
 Beryllium Copper \_\_\_\_\_ **B**  
 or select from Materials Table

**Length**  
 Length in 12.7 (.50) increments \_\_\_\_\_ 4 [50.8 (2.00)]  
 \_\_\_\_\_ to 20 [254.0 (10.00)]

**Finish**  
 Gold Plate \_\_\_\_\_ **5**  
 or select from Finish Table

No dash number required for CR material. Stainless steel parts are passivated only.

**Part Number Code example: 15B-18-6**

15 Series PCB-TAINER, Beryllium Copper, for 1.59-mm (.063-in.) thick board, 228.7-mm (9.00-in.) long, Nickel Plate finish.

**nVent SCHROFF, Inc.**

7328 Trade Street  
 San Diego, CA 92121 USA  
 +1 800-525-4682

CALMARK™



Our powerful portfolio of brands:

**CADDY ERICO HOFFMAN RAYCHEM SCHROFF TRACER**