

Series 41 Wedge-Lok

CONNECT AND PROTECT



RECOMMENDED GAP WIDTH

PCB + 5.33 (.210)

RECOMMENDED TORQUE

45 N-cm (4 in-lbs)

WEIGHT

.93 g/cm (.083 oz/in)

MATERIALS AND FINISH

WEDGES

- **Material:** Aluminum Alloy 6061-T6 per QQ-A-200/8
- **Finish:** See finish table on opposite page

SCREW

.09-in. or 2.5-mm hex. socket head cap screw, depending on mounting configuration

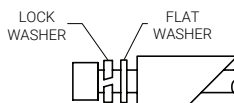
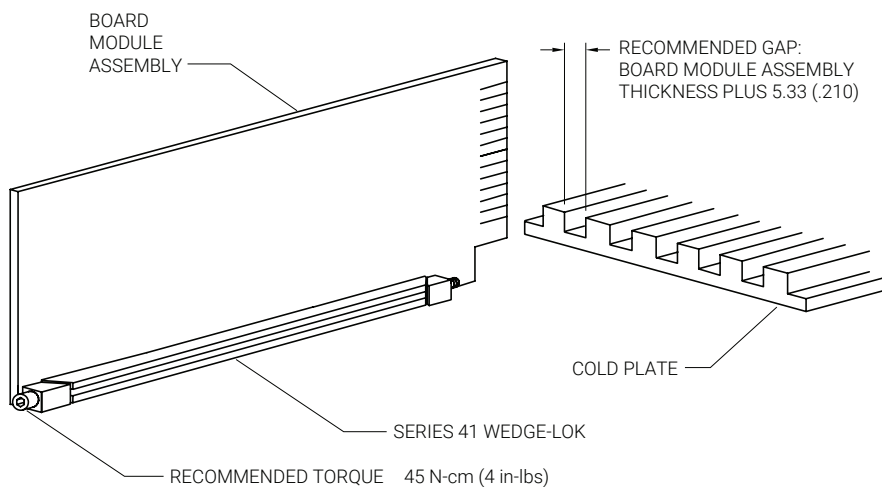
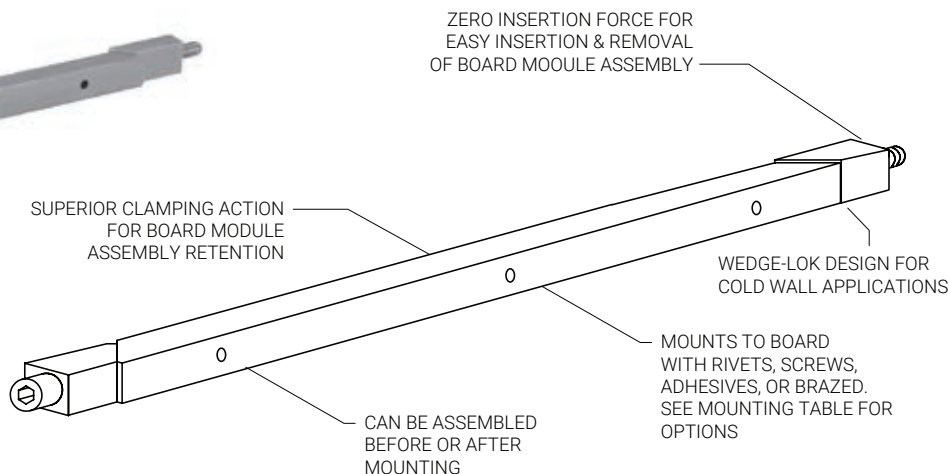
- **Material:** 300 series stainless steel per QQ-S-763 ASTM A-582
- **Finish:** Passivated per AMS2700

OPTIONAL LOCK AND FLAT WASHER

- **Material:** 300 series stainless steel per QQ-S-763 and ASTM A-582
- **Finish:** Passivated per AMS2700

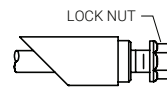
OPTIONAL LOCKNUT

- **Material:** Type A286 stainless steel per ASTM AMS 5525
- **Finish:** Silver plate per AMS 2410



LF OPTION

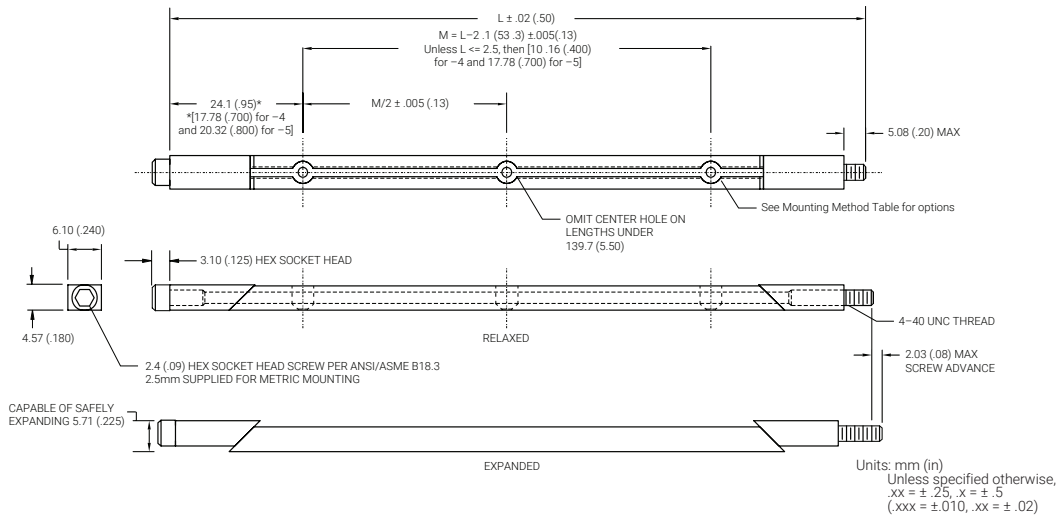
Provides additional resistance to shock and vibration (adds 5.1 (.20) to screw length)



LN OPTION

Captivates rear wedge when untorqued (adds 2.5 (.10) to screw length)

SERIES 41 WEDGE-LOK



Part Number Code	Series 41 WEDGE-LOK Three-piece	41 VI-10-B-LF-LN-S-L
Optional Visual Indicator	Visual Indicator _____ VI	
	None _____ [Blank]	
Length	Length in 12.7 (.50) increments _____ 4 [50.8 (2.00)]	
	_____ to 24 [304.8 (12.00)]	
Finish	Black Anodized _____ B	
	or select code letter from Finish Table	
Lock/Flat Washers and Locknut	Lock Washer and Flat Washer _____ LF	
	None _____ [Blank]	
	Lock Nut _____ LN	
	None _____ [Blank]	
Mounting	2-56 UNC-2B Tapped Holes _____ S	
	Or select code letter from Mounting Method Table	
Lock Patch	Lock Patch _____ L	
	None _____ [Blank]	

Part Number Code example: 41VI-12-LF

Series 41 WEDGE-LOK Three-piece, 152.4 (6.00) long, with Visual Indicator option, Chem Film finish, standard rivet hole mounting, and Lock and Flat Washer option.

FINISH TABLE

DASH #	SURFACE FINISH
[Blank]	CHEMICAL FILM PER MIL-DTL-5541, TYPE I, CLASS 1A, GOLD, NON ROHS COMPLIANT
CC	CHEMICAL FILM PER MIL-DTL-5541, TYPE II, CLASS 1A, CLEAR
EN	ELECTROLESS NICKEL PER MIL-C-26074, CLASS 4, GRADE B, BRIGHT
N	NICKEL PLATE PER QQ-N-290, CLASS 1, GRADE G, BRIGHT
B	BLACK ANODIZE PER MIL-A-8625, TYPE II, CLASS 2
B3	HARD BLACK ANODIZE PER MIL-A-8625, TYPE III, CLASS 2 HARD
B3D	BLACK ANODIZE WITH DRY FILM LUBE PER MIL-L-46010

MOUNTING METHOD TABLE

CODE LETTER	METHOD
[Blank]	RIVET MOUNT (∅ 1.70 + .10/- .03 (.067 + .004/.001) THRU n ∅3.96 (.156) √ 5.08 (.130) √ 3.56 (.140) x 100°)
A	NO MOUNTING HOLES
S	2-56 UNC-2B TAPPED HOLE
T	0-80 UNF-2B TAPPED HOLE
M2	M2 X .40 TAPPED HOLE
M	M2.5 X .45 TAPPED HOLE
NOTE:	RIVET (BLANK) PARTS ARE SHIPPED UNASSEMBLED

nVent SCHROFF, Inc.

7328 Trade Street San Diego,
CA 92121 USA
+1 800-525-4682

BIRTCHER™



Our powerful portfolio of brands:

CADDY ERICO HOFFMAN RAYCHEM SCHROFF TRACER