

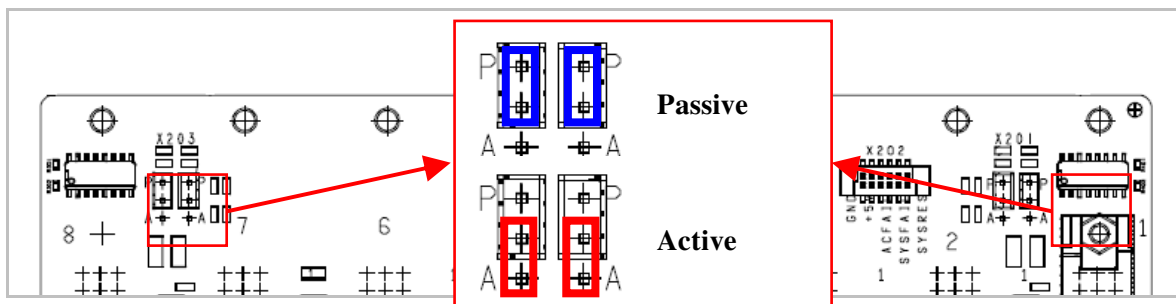
User Guide VME J1/J2 Monolithic Backplanes

Assembly Instructions

Mechanical Mounting: Attach the backplane through the mounting holes in at least every second connector position at top and bottom using M2.5 screws and isolating washers.

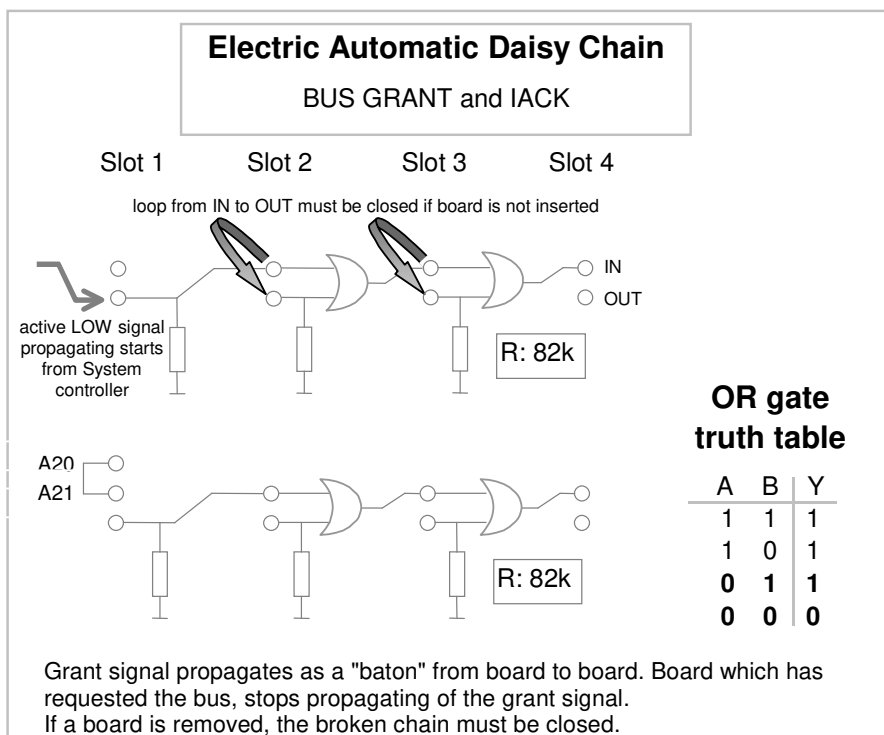
Chassis GND: If noise reduction shall be achieved by connecting digital GND to Chassis GND, use conductive washers instead of isolating ones. Spring washers are recommended instead of flat washers. Creepage and clearance between screw and GND are in accordance with EN60950 is maintained by layout when using isolating washers.

Termination: Schroff VME Backplanes have inboard passive and active termination in J1 area. By default, passive termination is enabled. To enable the active termination, the jumpers on both upper edges of the backplane have to be plugged into the lower position. The J2 area is passive terminated.



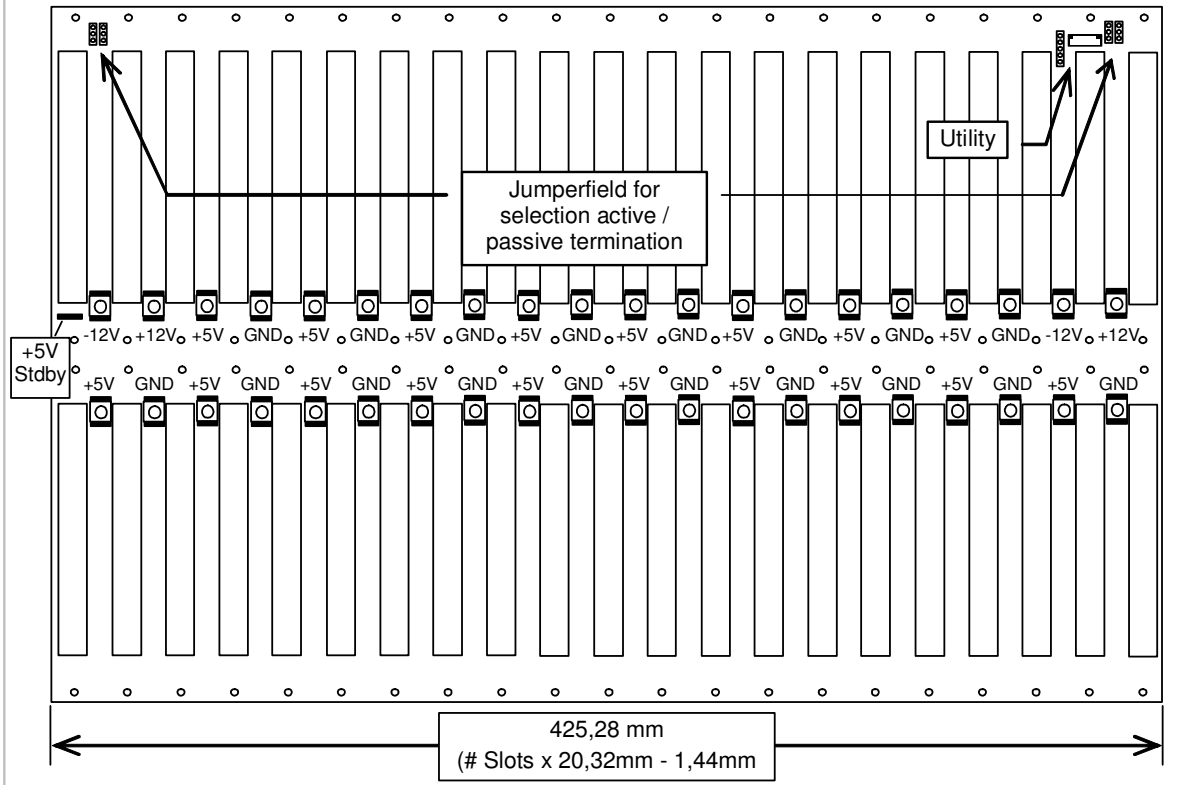
Power Input: The Schroff VME64x Backplanes has Power bugs, comprising M4 Screws. The fastening torque of the M4 screws is 1.3 Nm.

Daisy Chain: Schroff VME Backplanes are equipped with an electronic automatic daisy chain. The 2 Slot Backplanes 23001-002 (J1) and 23001-062 (Monolithic) have no Daisy chain.



Mechanical and electrical interface

Layout for 6U Monolithic VME Backplanes (rear view)



Mechanical Layout shown on a 21 slot Backplane, other Slot numbers are similar

Utility Connectors (Top view on connector)

5-pin connector
(Jumperpins)
pitch 2.54mm

Pin	Signal
1	SYSReset
2	SYSFAIL
3	ACFAIL
4	+5V
5	GND

All Schroff VME Backplanes

12-pin finepitch connector
pitch 1.27mm

	A	B
6	1	Nc
5	2	Nc
4	3	+12V
3	4	GND
2	5	Nc
1	6	SYSFAIL

Equipped on Backplanes:
23001-068, 23001-069, 23001-072,
23001-076, 23001-080

Cable assy:
Schroff part#: 23204 – 115 (350mm)
Schroff part#: 23204 – 116 (600mm)
free connector: ERNI part #: 044663

8-pin connector pitch 2.54mm

	A
1	GND
2	+5V
3	+12V
4	ACFAIL
5	-12V
6	SYSFAIL
7	Nc
8	SYSReset

Equipped on Backplanes:
23001-063, 23001-064, 23001-065,
23001-067

Cable assy:
Free conn (flat wire cable): Tyco 7-215083-8
Free conn (single wire): Tyco 338095-8 +
contacts: 1-338097-1