

Benutzeranleitung
Schubfach 2HE und 3HE
PROLINE

eurorack[®]

minirack[®]

comrack[®]

User Manual
Drawer 2U and 3U
PROLINE

eurorack[®]

minirack[®]

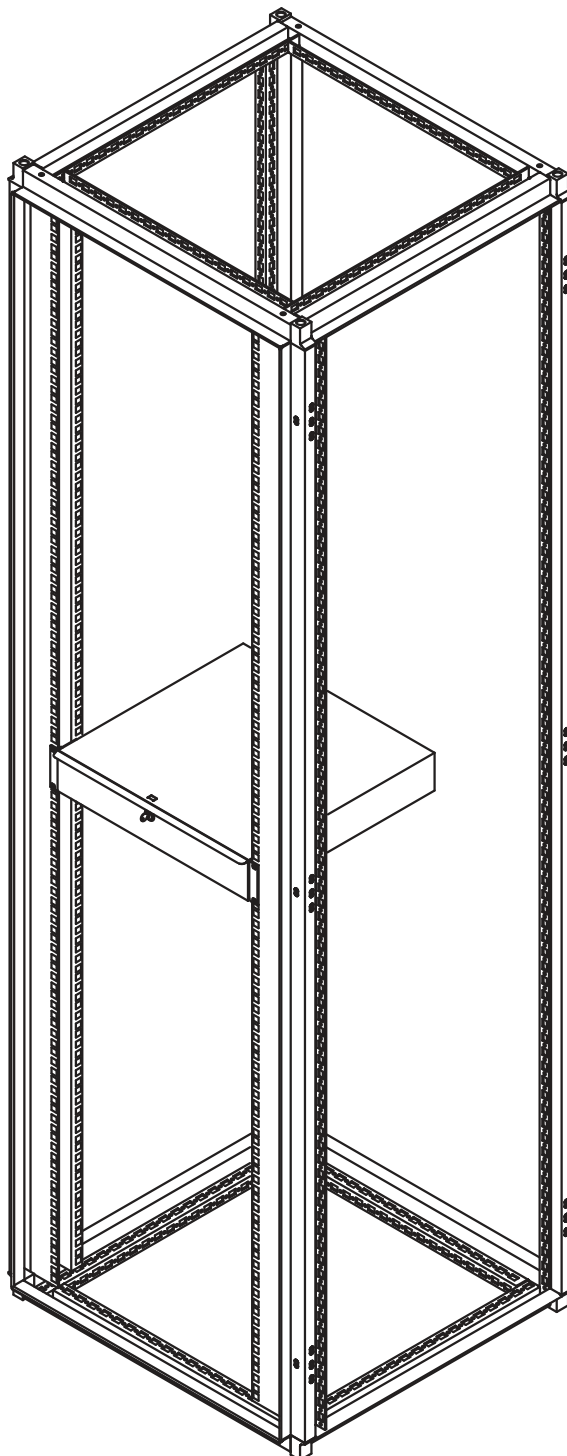
comrack[®]

Instruction utilisateur
Tiroir 2U dt 3U
PROLINE

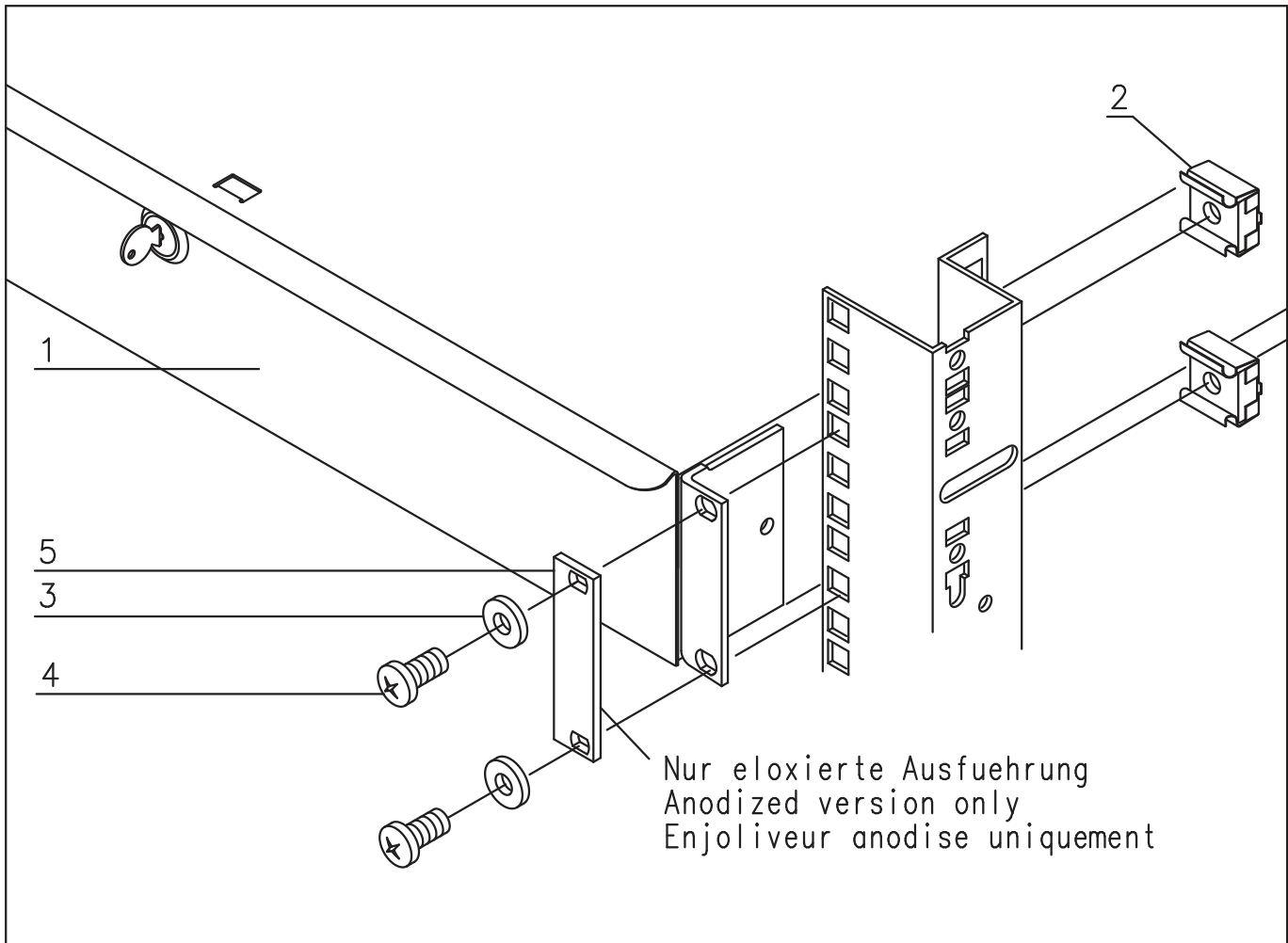
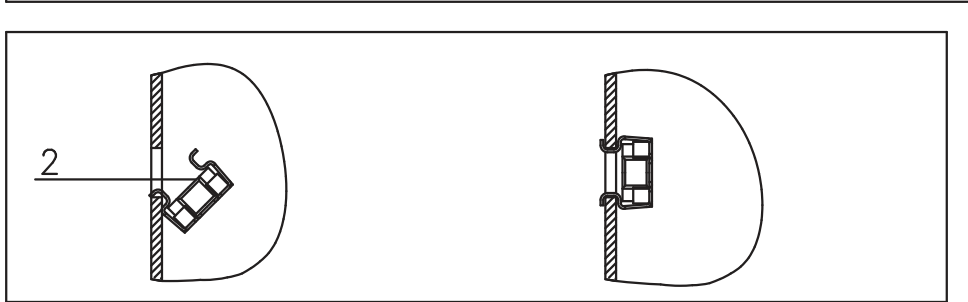
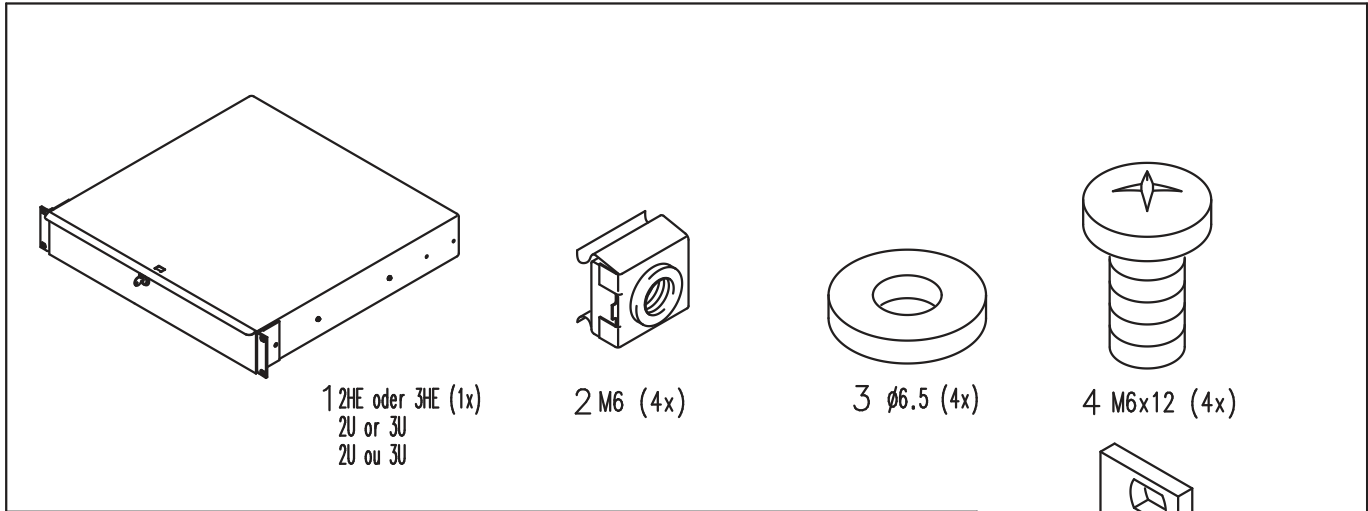
eurorack[®]

minirack[®]

comrack[®]



2 HE/U; 3 HE/U *eurorack*[®], *minirack*[®], PROLINE



2 HE/U; 3 HE/U *comrack*[®], *eurorack*[®], PROLINE

