

Series 260HTS Card-Lok



SCHROFF

CONNECT AND PROTECT



RECOMMENDED GAP WIDTH

PCB + 7.62 mm (.300 in)

RECOMMENDED TORQUE

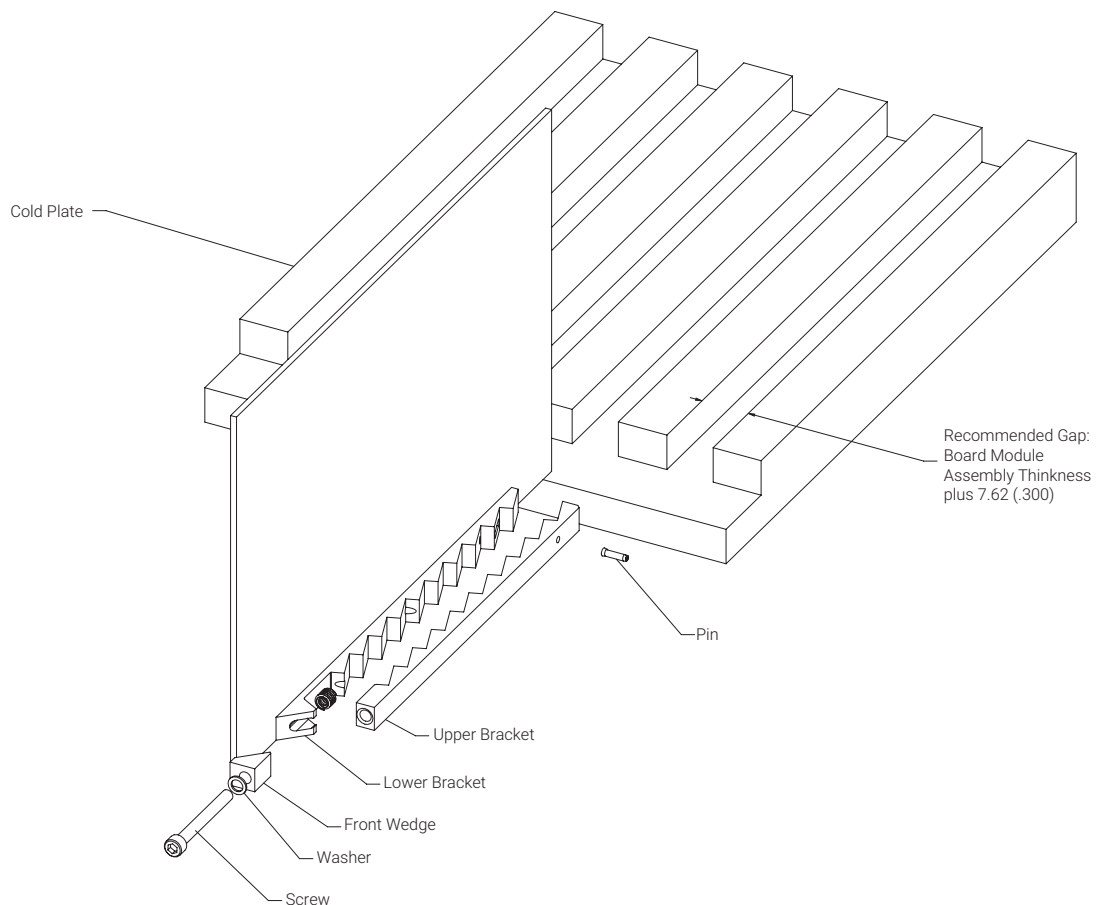
68 N-cm (6 in-lbs)

WEIGHT

1.21 g/cm (.109 oz/in)

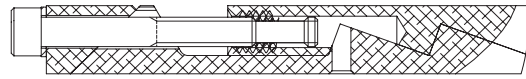
MATERIALS AND FINISH

	Material	Finish
BRACKETS AND FRONT WEDGE	6061-T6 or T6XXX per ASTM-B221 or AMS-QQ-A-200/8	See finish table on opposite page
SCREW AND WASHER	Stainless steel	Passivated per AMS2700
THREADED INSERT	Stainless steel	Passivated per AMS2700
PIN	Stainless steel	Passivated per AMS2700



PRODUCT CONFIGURATION

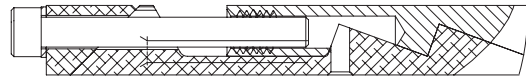
	M	A	260HTS -2.28	E	L	K
Screw Drive						
Metric Screw Head M2.5 Hex Drive	M					
Standard Screw Head 3/32 Hex Drive	[Blank]					
Surface Finish						
Black Anodized	A					
Electroless Nickel	EN					
length						
Length in 12.7 (.50 increments)	71.12 (2.80)					
	to 325.12 (12.80)					
Mounting						
Additional Center Mounting Hole	E					
None	[Blank]					
or choose from Mounting Method Table						
Threaded Insert						
Locking Insert	L					
Free-Running Insert	[Blank]					
Screw Type						
Captive Screw	K					
Standard	[Blank]					



DETAIL K (RELAXED VIEW)

Detail K

Prevents the unintentional disassembly of screw from shaft.



DETAIL L (RELAXED VIEW)

Detail L

SCREW LOCKING INSERT

Provides prevailing torque for resistance to loosening from shock and vibration. Meets NASM 8846.

Part Number Code example: M A 260HTS – 4.80 E T2 L K

Series 260HTS Card-Lok with M2.5 hex drive, black anodized finish, 121.9 (4.80) long, with additional mounting hole, 2–56 tapped hole, locking insert and captive screw.

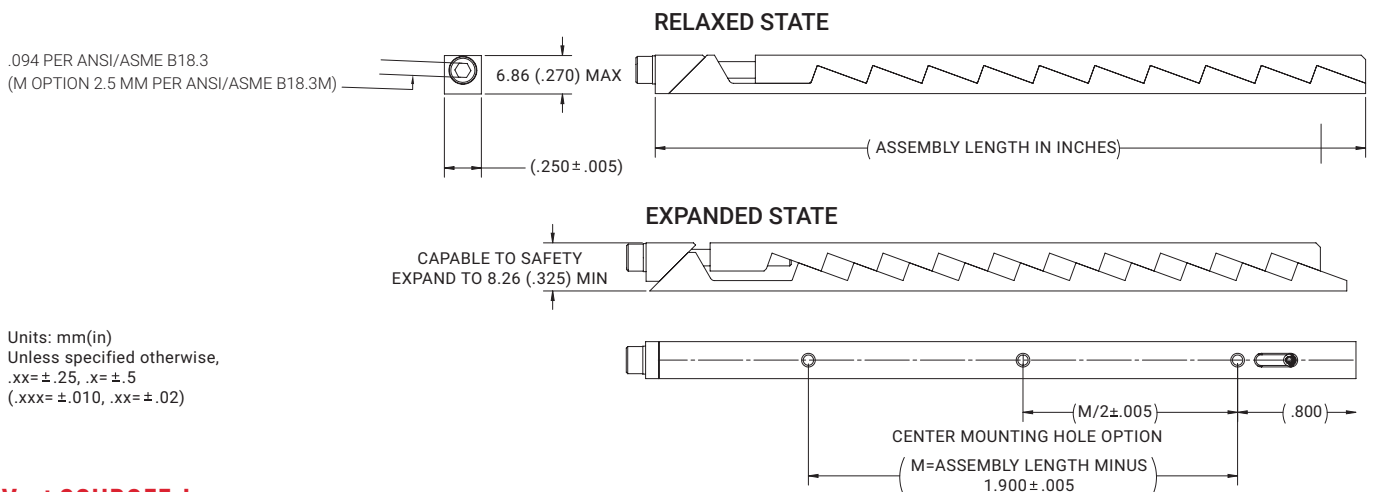
Finish Table

Code Letter	Surface Finish
A	Lack Anodize Per MIL-A-8625 Type II, Class 2
EN	Electroless Nickel Per MIL-C-26074 Class 4, Grade B, Bright

Mounting Method Table

Code Letter	Surface Finish
E	Additional Center Mounting Hole
T0	0–80 Tapped Hole
T0	2–56 Tapped Hole
TM2	M2 x 0.40 Tapped Hole
TM2.5	M2.5 x 0.45 Tapped Hole

DIMENSIONS



nVent SCHROFF, Inc.

7328 Trade Street San Diego, CA 92121 USA, +1 800-525-4682



Our powerful portfolio of brands:

CADDY ERICO HOFFMAN RAYCHEM SCHROFF TRACER