

## HOUSING BASED ON THE 19" STANDARD



### REQUIREMENT



Railway companies need a housing for their PCB applications based on the 19" standard and the French railway standard.

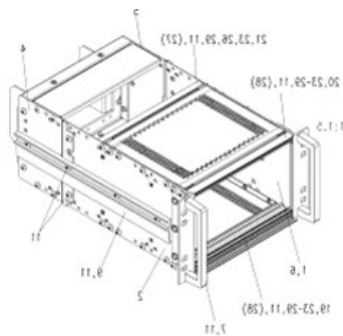


### CHALLENGE

The subrack and the receptacle must fulfill the shock and vibration requirements.



### SOLUTION



Due to the limited space inside a local passenger coach, this subrack needs a mounting frame based on a receptacle defined in the French railway specification. Pentair delivers both products. The application will be mounted beside a seating bench.

#### Project Details

|                 |  |
|-----------------|--|
| Location        | Europe   |
| Type of system  | Subrack  |
| Technology      | EuropacPRO railway   |
| Product scope   | Shock and Vibration conform Subrack (NFF 61005, NFF 60002) |
| Date/Time frame | 2015 -   |
| Contract scope  | Buy American Policy  |