

# PXI 5350D System



**SCHROFF**

## BUILT FOR HIGH PERFORMANCE TEST AND MEASUREMENT APPLICATIONS

### SCHROFF PXI 5350D SYSTEM

The SCHROFF PXI 5350D System provides seven hybrid-compatible slots for application flexibility. The chassis utilizes a single PCI segment with a dedicated PCIe-to-PCI bridge module for the hybrid slots. The PXI specific high accuracy clocks and trigger signals are generated and controlled by an independent clock module attached to the rear side of the backplane. The system is specified for up to 50 °C operating conditions based on the robust cooling and proven mechanical design.



### FEATURES AND BENEFITS

- **Innovative modular chassis architecture**  
Due to swappable function modules on backplane
- **Get your customized PXI Express systems**  
Economical & fast to market thanks to the modular chassis concept
- **Reliable system design**  
From decades of experience in robust and unique system design for industry, test & measurement

### TECHNICAL DETAILS

- PCIe Gen 3, 8-slots full hybrid, 3U PXI Express Chassis
- Powerful cooling concept with low fan noise
- High performance Gen 3 PCIe switching with a default four-link (4x4) system slot
- High data bandwidth (max. 12.5GB/s system and 4GB/s slot-to-slot) and a base PCIe Gen2 segment for Slot 5-8
- Rear panel external 10MHz clock inputs/outputs

### SYSTEM SPECIFICATION

#### System Cooling

- Fans: 2x 80mm fans (152.3 CFM)
- Cooling capacity: 50 W per slot @ 15K temperature increase

#### Safety

- EN 61010-1 / IEC 61010-1
- UL Approved - E533484



#### Acoustic Emissions

Acoustic noise	Auto fan (25 °C)	Max fan RPM
Sound pressure level	21 dBA	48 dBA
Sound power	32 dBA	59 dBA

#### AC Feed

- Voltage range: 100 - 240 VAC at 50/60 Hz
- In-line filter with 8A fuse and power switch

#### DC Power Supply

- Maximum available power is 540 W in System

Voltage	Current	Load Regulation	Voltage Ripple
+3V3	25A	±2%	±50 mV
+5V	25A	±2%	±50 mV
+5Vaux	1A	-	±50 mV
+12V	15A	±2%	±100 mV
-12V	2A	±2%	±100 mV

## SYSTEM SPECIFICATION

### Operating Environment

- Ambient temperature 0 °C to 55 °C (32 °F to 131 °F)
- Rel. humidity 20% to 80%, non-condensing

### Storage Environment

- Ambient temperature -20 °C to 70 °C (4 °F to 158 °F)
- Rel. humidity 10% to 90%, non-condensing

### Emissions Compliance and Safety

Designed in accordance to:

- FCC/ICES-003 (USA / CA) Class B – EN61326-1
- CE (Europe) Class B – EN61326-1
- CE/LVD (Europe) – EN 61010-1

### Physical Dimensions

- 245.5 mm x 177 mm x 315 mm [W x H x D]
- Weight 5.0 kg [11.0 lbs]

### System topology

- 1 System slot with three expansion slots
- 7 PXI Express Hybrid Slots

### Bus Interface

- Four-link capacity PXI Express system slot
- Up to 12.5 GB/s PCIe Gen3 system bandwidth
- Up to 4 GB/s peripheral bandwidth to slots 2-4
- Base 0.5 GB/s peripheral bandwidth to slots 5-8
- PXI-1 compatible with 32bit / 33MHz PCI bus

### Rear Terminal

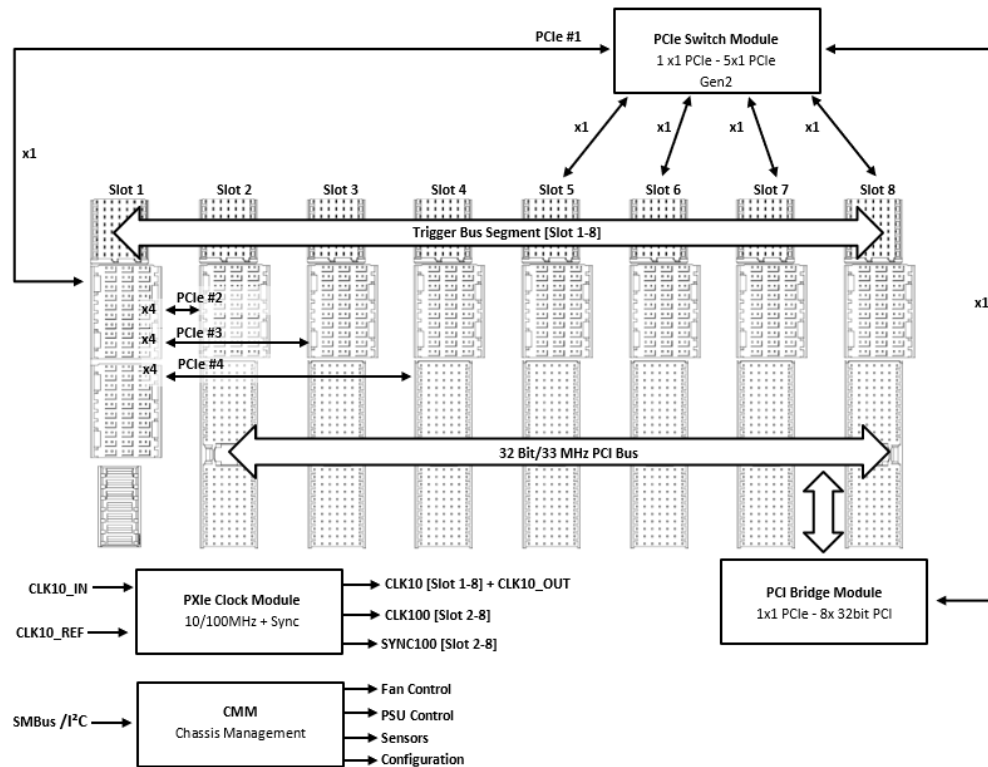
- External 10MHz REF clock output via BNC connector
- Optional 10 MHz REF clock source via BNC connector
- M4 chassis ground screw

### Order information

### Item number

SCHROFF PXI 5350D-8H7

14579-033



### North America

All locations

Tel +1.800.525.4682

### Europe

Germany

Tel +49.7082.794.0

France

Tel +33.3.88.90.64.90

Poland

Tel +48.22.209.98.35

Great Britain

Tel +44.1442.24.04.71

Lainate, Italy

Tel +39.02.932.714.1

### Asia Pacific

P.R. China

Tel +86.21.2412.6943

Singapore

Tel +65.6768.5800

Japan

Tel +81.45.476.0271

### Middle East & India

Arabian Emirates

Tel +971.4.37.81.700

India

Tel +91.80.6715.2001

Turkey

Tel +90.216.250.7374



Our powerful portfolio of brands:

CADDY ERICO HOFFMAN RAYCHEM SCHROFF TRACER