

Series 265HC Card-Lok

CONNECT AND PROTECT



RECOMMENDED GAP WIDTH

PCB + 6.35 mm (.250 in)

RECOMMENDED TORQUE

68 N-cm (6 in-lbs) With "L" option 90 N-cm (8 in-lbs)

WEIGHT

.89 g/cm (.080 oz/in)

MATERIALS AND FINISH

BODIES AND WEDGES

- **Material:** Aluminum Alloy 6061-T6 per ASTM-B221 or AMS-QQ-A-200/8
- **Finish:** See finish table on opposite page

SHAFT

- **Material:** Alluminum alloy 7075-T6 per ASTM-B221 or AMS-QQ-A-200/8
- **Finish:** See finish table on opposite page

SCREW

.09-in. or 2.5-mm hex. socket head

- **Material:** 300 series stainless steel with dry film lube per MIL-L-46010
- **Finish:** Passivated per AMS2700

ROLLPINS AND FLAT WASHER

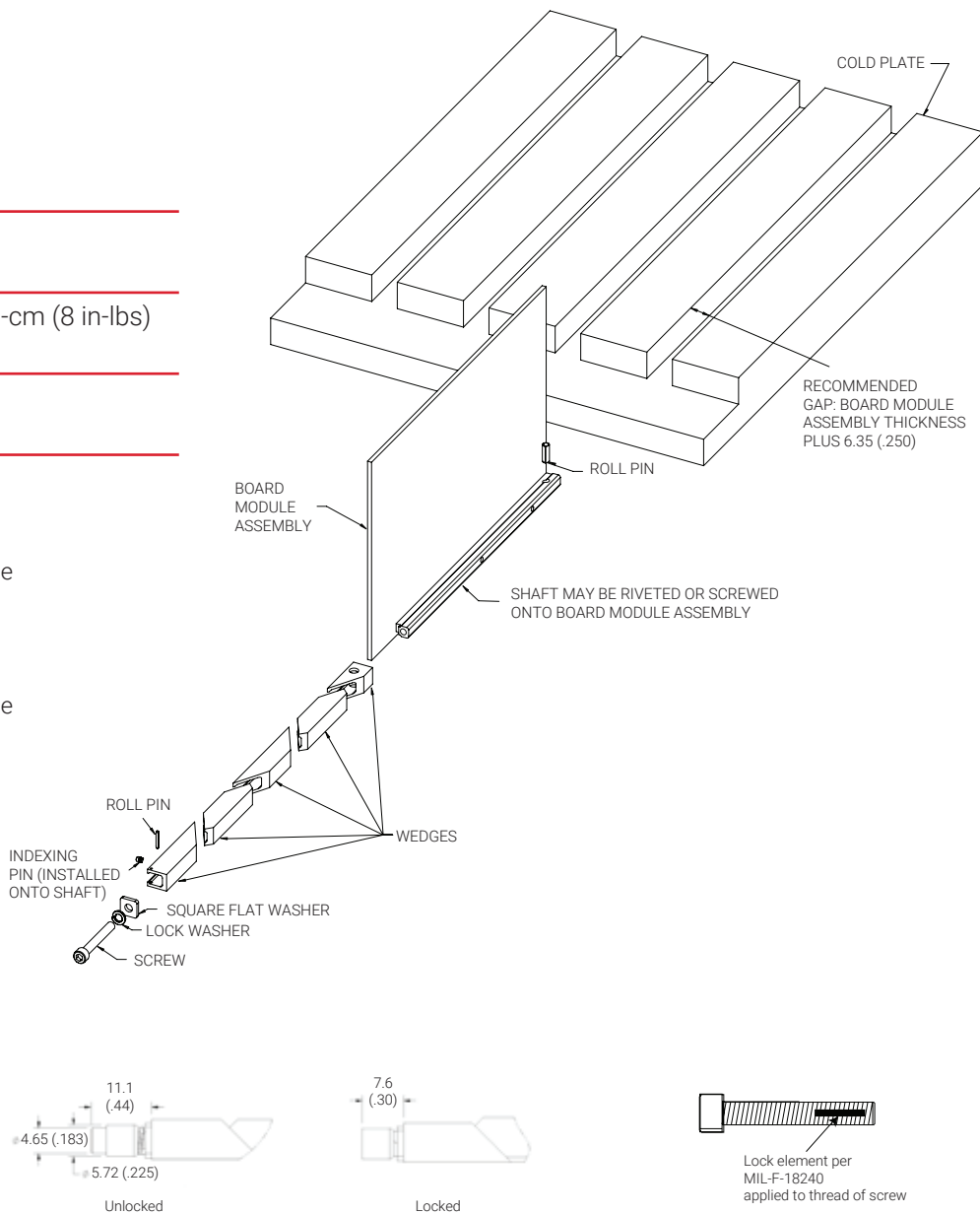
- **Material:** 400 series stainless steel
- **Finish:** Passivated per AMS2700

LOCK WASHER

- **Material:** MS35338-135
- **Finish:** Passivated per AMS2700

INDEXING PINS

- **Material:** Aluminum alloy 6061-T6
- **Finish:** See finish table on opposite page

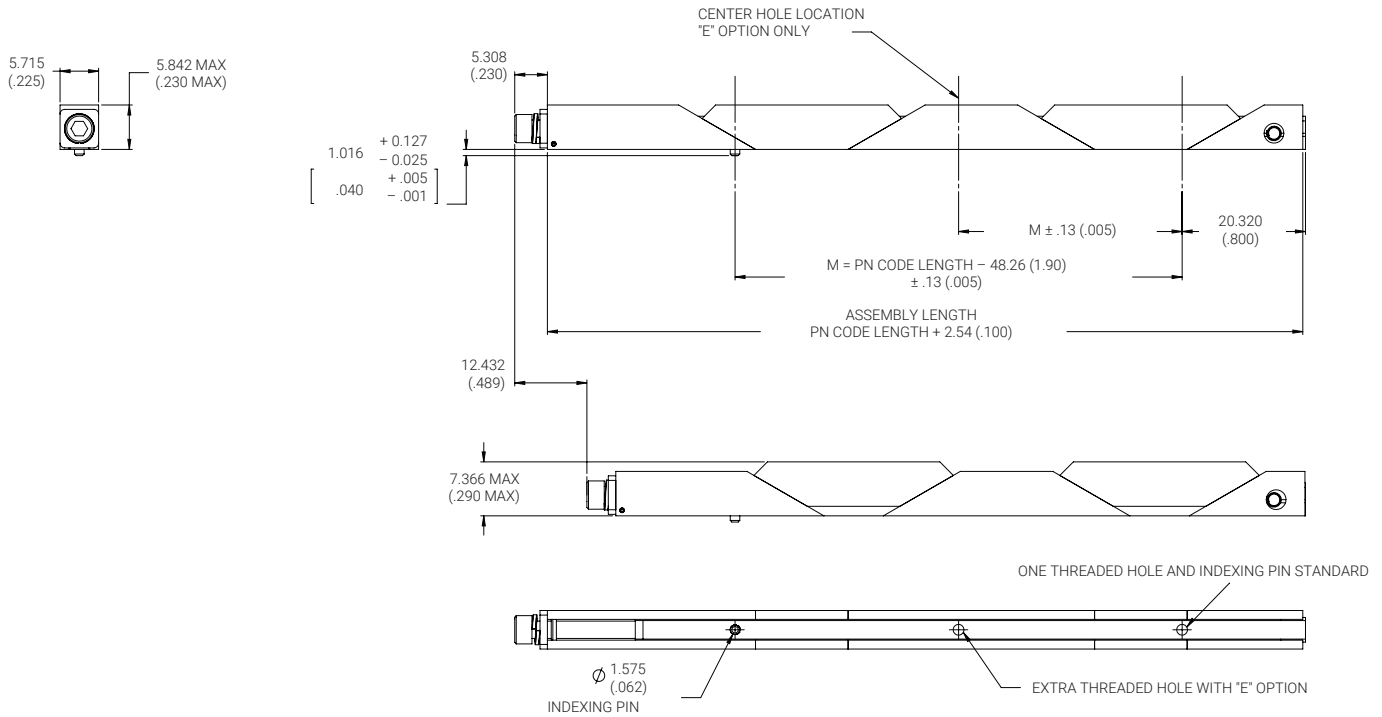


Detail "V"

Provides visual lock indication.

Detail "L"

Provides prevailing torque for resistance to loosening from shock and vibration. Adds 22 N-cm (2 in-lbs) torque to assembly.



Part Number Code
Series 265HC Card-Lok Five Piece

M V A 265HC - 3.80 E H L

Prefix options
 Metric Screw Head M2.5 Hex Drive **M**
 Standard Screw Head 3/32
 Hex Drive **[blank]**
 Visual Indicator **V**
 No Visual Indicator **[blank]**
 Black Anodize **A**
 or choose from Finish Table **see table**

Suffix options
 Length in 12.7 (.50) increments **96.52 (3.80)**
to 172.72(6.80)

Additional Center Mounting Hole **E**
 None **[blank]**

Mounting Options - holes for rivet mounting **H**
 or choose from Mounting Option Table **see table**

Lock Element **L**
 None **[blank]**

Part Number Code Example:

MVA263HC-3.80ET2L
 Series 263HC Card-Lok five piece 96.52 (3.80) long black anodized with M2.5 hex drive, visual indicator, mounting holes tapped for 2-56 thread, with locking element.

FINISH TABLE

Code Letter	Finish
"A"	Black Anodize per Mil-A-8625 Type II, Class 2
"HA"	Hard Black Anodize per Mil-A-8625 Type III, Class 2
"EN"	Electroless Nickel per Mil-C-26074 Class 4, Grade B, Bright

MOUNTING METHOD TABLE

Code Letter	Method
"H"	Ø1.73/1.85 (.068/.073) dia. through holes countersink 100° x 1.50 (.060) deep
"T0"	0-80 tapped hole
"T2"	2-56 tapped hole
"TM2"	M2 x 0.40 tapped hole
"TM2.5"	M2.5 x 0.45 tapped hole

nVent SCHROFF, Inc.

7328 Trade Street San Diego,
 CA 92121 USA
 +1 800-525-4682

CALMARK™



Our powerful portfolio of brands:

CADDY ERICO HOFFMAN RAYCHEM SCHROFF TRACER

©2021 nVent. All nVent marks and logos are owned or licensed by nVent Services GmbH or its affiliates. All other trademarks are the property of their respective owners. nVent reserves the right to change specifications without notice.

SCHROFF-DS-H83415-265HC CardLok-EN-2112