



CONNECT AND PROTECT

Etsirack


nvent

SCHROFF

Cabinets – Etsirack

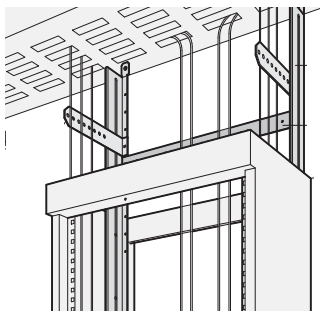
OVERVIEW

MAIN CATALOG

- Cabinets 1
- Wall mounted cases 2
- Accessories for cabinets and wall mounted cases . . . 3
- Climate control . . . 4
- Electronics cases 5
- Subracks/ 19" chassis 6
- Front panels, plug-in units 7
- Systems 8
- Power supply units 9
- Backplanes 10
- Connectors, front panel component system 11
- Appendix 12

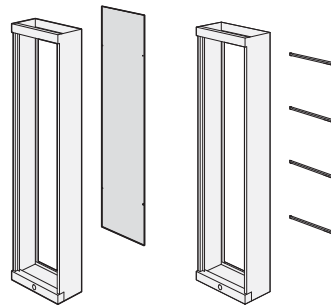


05601001 05601002



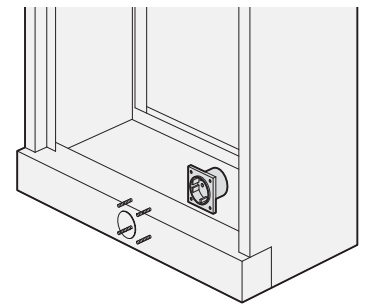
ETA43445

Top mounted cabling frame



eta43459 05605051

Optionally either rear panel or cable supports can be used



eta43449

Frame cover with integrated socket

STANDARDS/CERTIFICATIONS

- External and internal dimensions in accordance with: IEC 48D and ETS 300119
- Type of protection: IP 20 in accordance with: IEC 60529
- Protective GND/earthing connections in accordance with: DIN EN 50178 / PU 0160

MODIFICATIONS

- Special colours
- Special sizes
- Customised solutions

Cabinets – Etsirack

OVERVIEW

METRIC FRAME FOR PUBLIC AND PRIVATE TELECOMMUNICATION NETWORKS

- In accordance with standards IEC 48 D and ETS 300 119
- Static load-carrying capacity up to 200 kg
- Top mounted cabling frame
- Back-to-back row layout is possible



05605001

CABINET FROM STOCK

- With perforated front door
- Can be completed on the rear either with rear panel or cable supports

SERVICEPLUS

- e.g. modifications (cut-outs, special colours)
- e.g. custom solutions (special sizes)

Overview 1.346

etsirack	
Frames	1.348
Mounting kit for	
back-to-back row	
layout	1.349
Rear panel	1.349
Cable support	1.349
Top mounted	
cabling frame	1.350
Mounting socket	
etsirack	1.350
Metric cable support	
.....	1.351
19" adaptors	1.351

Application
examples..... 1.352

Cabinets – Etsirack

ETSIRACK FRAME



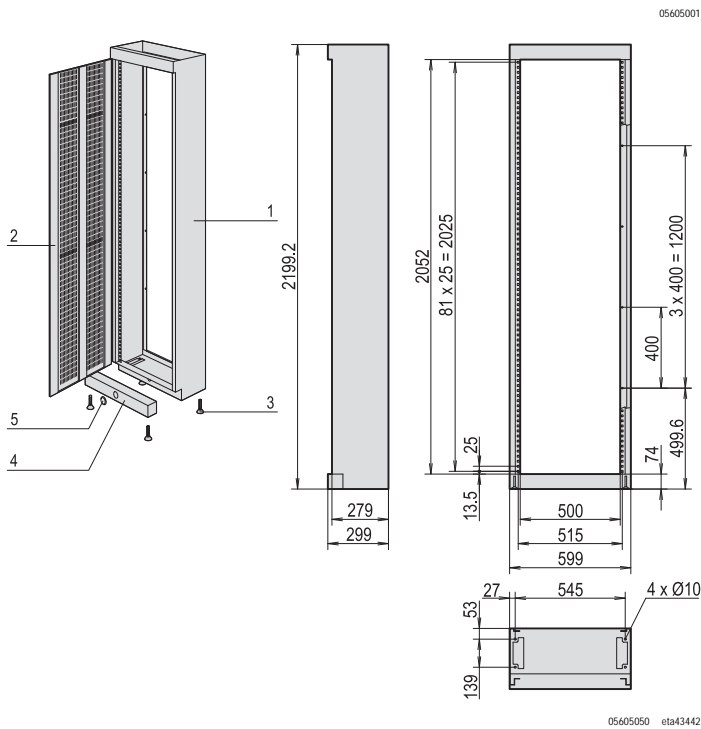
- Welded rack with metric grid hole spacing to ETS 300119-3
- Static load-carrying capacity 200 kg
- Mounting height 81 SU (1 SU = 25 mm)

DELIVERY COMPRISES (assembled)

Item	Qty	Description
1	1	Frame, St, 2 mm, RAL 7035
2	1	Front door with perforation, St, 1.5 mm, RAL 7035 with safety lock incl. 2 keys, GND/earthing
3	4	Adjustable feet, St, zinc-plated, polyamide black
4	1	Base/plinth, St, 2 mm, RAL 7035
5	1	Blanking plug, polyamide, white, for socket cut-out

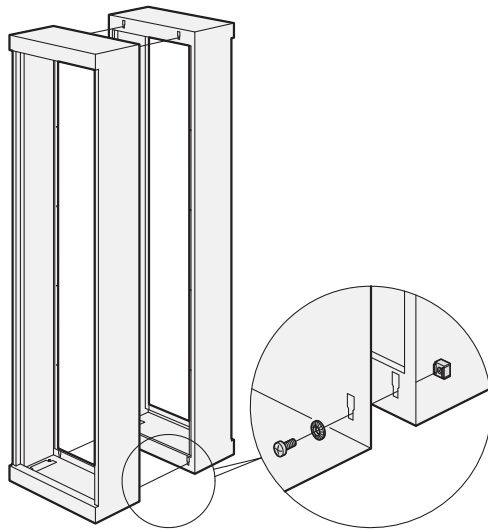
ORDER INFORMATION

Height mm	Width mm	Depth mm	Qty	Part no.
2200	600	300	PU = 1 piece on a palette	10125-010
2200	600	300	PU = 2 pieces on a palette	10125-011
Side-by-side mounting kit etsirack PU 1 kit				21190-793
Mounting socket etsirack SCHUKO, 230 V/16 A, white, 1 piece				21101-360



Cabinets – Etsirack

MOUNTING KIT ETSIRACK FOR BACK-TO-BACK ROW LAYOUT



ETA43447

- For back-to-back mounting of two frames

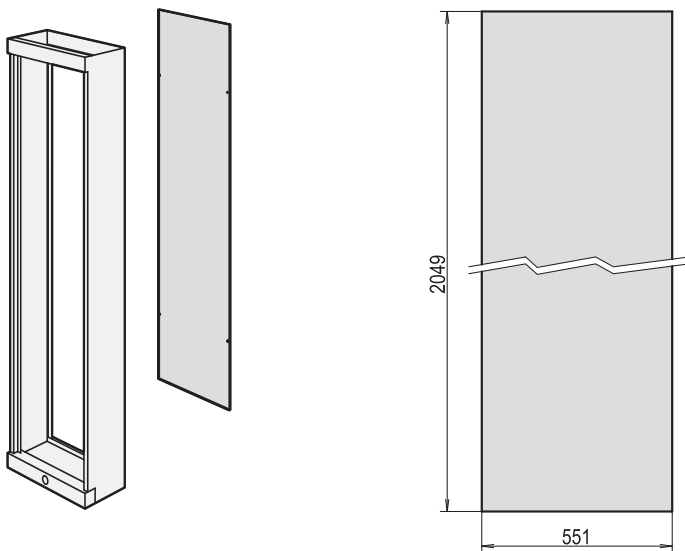
DELIVERY COMPRISES

Item	Qty	Description
1	4	GND/earthing cage nut, washer, 1 screw M6 x 12

ORDER INFORMATION

Description	Part no.
Mounting kit etsirack for back-to-back row layout	21190-793

REAR PANEL



eta43459 eta43444

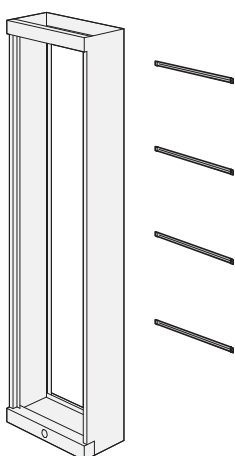
DELIVERY COMPRISES

Item	Qty	Description
1	1	Rear panel, St, 1 mm, RAL 7035
2	1	GND/earthing kit (Cu wire 4 mm ² green/yellow)
3	1	Assembly kit

ORDER INFORMATION

Description	Part no.
Rear panel	20125-021

CABLE SUPPORT



0560501

- Cable supports may be used in the etsirack in place of a rear panel

DELIVERY COMPRISES

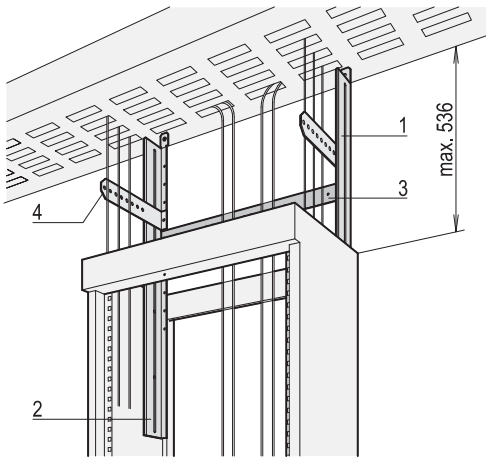
Item	Qty	Description
1	4	Cable support, St, 2 mm, RAL 7035
2	1	Assembly kit

ORDER INFORMATION

Description	Part no.
Cable support	20125-006

Cabinets – Etsirack

TOP MOUNTED CABLING FRAME



ETA43445

- Extension length of the sliding bars on right and left: max. 536 mm

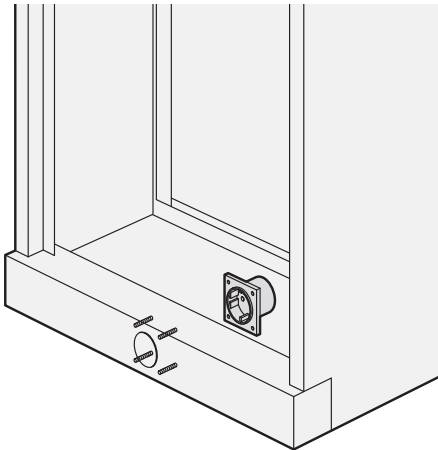
DELIVERY COMPRISES (Kit)

Pos.	Menge	Beschreibung
1	1	Sliding bar on the right, St, 3 mm, zinc-plated
2	1	Sliding bar on the left, St, 3 mm, zinc-plated
3	1	Mounting rail, St, 3 mm, zinc-plated
4	2	Cable retention rail, St, 3 mm, RAL 7035
5	1	Assembly kit

ORDER INFORMATION

Description	Part no.
Top mounted cabling frame	20125-005

MOUNTING SOCKET ETSIRACK



ETA43449

- SCHUKO, 230 V_{AC}, 16 A

DELIVERY COMPRISES

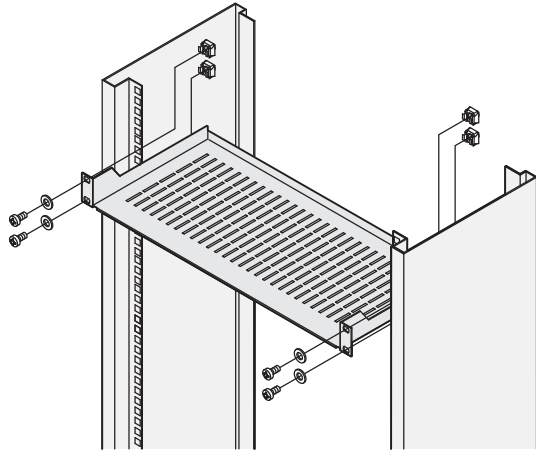
Item	Qty	Description
1	1	Mounting socket, SCHUKO, white
2	1	Assembly kit

ORDER INFORMATION

Description	Part no.
Mounting socket etsirack	21101-360

Cabinets – Etsirack

METRIC EQUIPMENT SHELF



05601501

- For the installation in metric frames (assembly dimension 515 mm)
- Load carrying capacity 10 kg
- Mounting height 49 mm

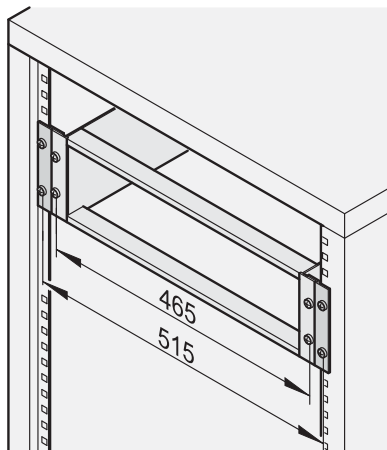
DELIVERY COMPRISES

Item	Qty	Description
1	1	Equipment shelf, St, 1.5 mm, RAL 7035
2	1	GND/earthing material
3	1	Assembly kit

ORDER INFORMATION

Width mm	Depth mm	Part no.
497	222	20118-686

19" ADAPTOR



b2a44292

- The 19" adaptor allows 19" components to be installed in the metric etsirack
- Equal clearances are obtained above and below between the 19" adaptor and the metric height increments

DELIVERY COMPRISES

Item	Qty	Description
1	2	19"/metric adaptor, Al extrusion, clear chromated
2	1	Assembly kit

ORDER INFORMATION

Height U	Clearance mm	Part no.
3	above/below 8.8 mm each	20838-084
6	above/below 4.6 mm each	20838-086
45	none	20125-018

NOTE

- Assembly dimensions and clearances see Internet

Cabinets – Etsirack

SERVICEPLUS: SOLUTION - PROJECT EXAMPLES



FRENCH TELECOM

- With perforated front door
- Special top mounted cabling frame

05605003



GERMAN TELECOM

- Front door drawn out for more space
- Rear panel included
- Lever handle instead of safety lock

05605003

Cabinets – Etsirack

North America

Warwick, RI, USA

Tel +1.800.525.4682

San Diego, CA, USA

Tel +1.800.854.7086

Europe, Middle East & India

Straubenhardt, Germany

Tel +49 7082 794 0

Betschdorf, France

Tel +33 3 88 90 64 90

Warsaw, Poland

Tel +48 22 209 98 35

Hemel Hempstead,

Great Britain

Tel +44 1442 24 04 71

Lainate, Italy

Tel +39 02 932 714 1

Dubai, United Arab Emirates

Tel +971 4 37 81 700

Bangalore, India

Tel +91 80 67152000

Istanbul, Turkey

Tel +90 216 250 7374

Asia Pacific

Shanghai, China

Tel +86 21 2412 6943

Singapore

Tel +65 6768 5800

Shin-Yokohama, Japan

Tel +81 45 476 0271

Our powerful portfolio of brands:

CADDY ERICO HOFFMAN RAYCHEM SCHROFF TRACER



[nVent.com/SCHROFF](https://www.nVent.com/SCHROFF)