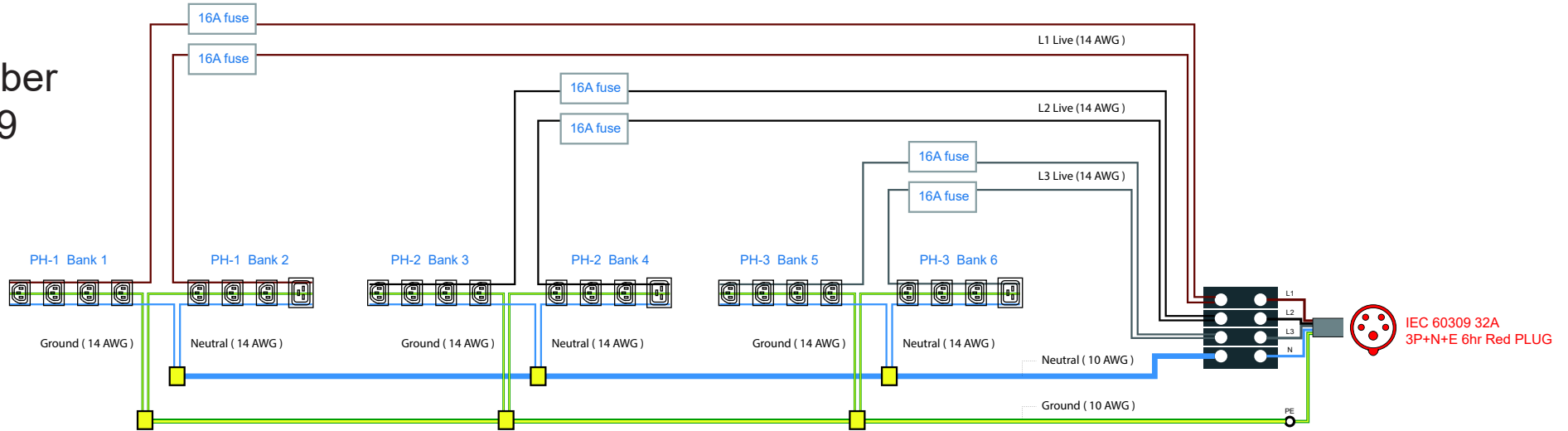


Item Number
60110-459



Three phase switched PDU + outlet measurement

Input Rating : 32A, 400V 3PH
Outlet : 10A Rated C13 x 21
16A Rated C19 x 3
Inlet : 32A IEC60309 3P+N+E 6hr Red plug
Cordset : 5-wire 3 meter 4.0mm sq H07RN-F cordset
Protection : 16A resettable fuse x 6
Bank Details : **PH-1** < **Bank 1** > Output 16A max. C 13 # 1-4
< **Bank 2** > Output 16A max. C 13 # 5-7 + C 19 # C 1
PH-2 < **Bank 3** > Output 16A max. C 13 # 1-4
< **Bank 4** > Output 16A max. C 13 # 5-7 + C 19 # C 1
PH-3 < **Bank 5** > Output 16A max. C 13 # 1-4
< **Bank 6** > Output 16A max. C 13 # 5-7 + C 19 # C 1

Meter Features (WSi Switched PDU + Outlet Measurement)

Local Display : Field replaceable 2.8" color LCD with touchscreen
Bank Measurement : Current (A), Energy (kWh), Voltage (V) & Power factor
Outlet Measurement : Current (A), Energy (kWh)
Outlet Control : Outlet Switch ON / OFF
Accuracy : ±1% Billing-grade
IP Access : via IP dongle, one IP Access up to 16 PDU Levels
Cascade : Up to 16 PDU under single IP address via IP dongle
SNMP : V2 / V3 via IP dongle
Sensor Port x 2 : Temp. Sensor / Temp. + Humid. Sensor

EMC Compliance	: CE / EMC certified
Safety Compliance	: CE / LVD certified
Environment Compliance	: RoHS2 & REACH
Operating Temperature	: -5 to 60 °C
Storage Temperature	: -25 to 65 °C
Operating Altitude	: 0 to 2,000 m
Storage Altitude	: 0 to 15,000 m
Humidity	: 8 to 95% RH, non-condensing
Chassis Material	: Steel
Chassis Color	: Black
Product Dimension	: 54 (W) x 80 (D) x 1700 (H) mm
Net Weight	: 8 kg
Packing Dimension (for 2 PDUs)	: 110 (W) x 268 (D) x 2043 (H) mm
PDU Gross Weight (for 2 PDUs)	: 18 kg