

HOUSING BASED ON THE 19" STANDARD



REQUIREMENT



Railway companies need a housing for their PCB applications based on the 19" standard and the French railway standard.

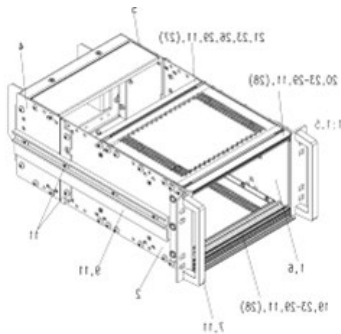


CHALLENGE

The subrack and the receptacle must fulfill the shock and vibration requirements.



SOLUTION



Due to the limited space inside a local passenger coach, this subrack needs a mounting frame based on a receptacle defined in the French railway specification. Pentair delivers both products. The application will be mounted beside a seating bench.

Project Details

Location	Europe
Type of system	Subrack
Technology	EuropacPRO railway
Product scope	Shock and Vibration conform Subrack (NFF 61005, NFF 60002)
Date/Time frame	2015 -
Contract scope	Buy American Policy