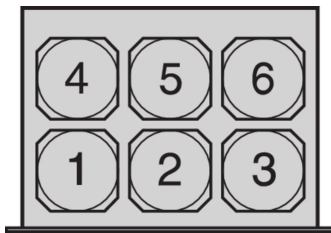
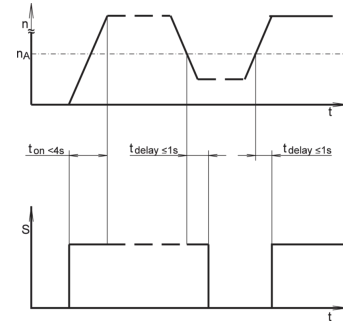
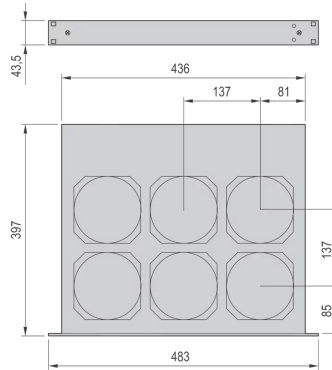
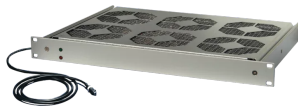


19713-006 19" FAN UNIT, 1 U, SPEED CONTROL AND MONITORING, 6 FANS, 230 VAC



### KEY FEATURES

- Range selectable: 20 ... 40 °C and 30 ... 50 °C
- Low noise through temperature dependent air flow
- External sensor, max speed is default failure state
- Function control with LEDs and via dry contact
- Contact protection in accordance with DIN EN ISO 13857

### PRODUCT ATTRIBUTES

- Product Type: Fan Unit
- Input Voltage AC: 230 V

### ADDITIONAL PRODUCT DETAILS

Fan Unit for installation into a 1 U space within the Cabinet.



**North America**

All locations  
+1.763.422.2661  
Chat with us:  
[schroff.nvent.com](https://schroff.nvent.com)

**Europe**

Straubenhardt, Germany  
+49.7082.794.0  
Betschdorf, France  
+33.3.88.90.64.90  
Warsaw, Poland  
+48.22.209.98.35  
Assago, Italy  
+39.02.932.7141  
Chat with us:  
[schroff.nvent.com](https://schroff.nvent.com)

**Asia**

Shanghai, China  
+86.21.2412.6943  
Qingdao, China  
+86.532.8771.6101  
Singapore  
+65.6768.5800  
Shin-Yokohama, Japan  
+81.45.476.0271  
Chat with us:  
[schroff.nvent.com](https://schroff.nvent.com)

**Middle East & India**

Dubai, United Arab Emirates  
+971.4.378.1700  
Bangalore, India  
+91.80.6715.2001  
Istanbul, Turkey  
+90.216.250.7374  
Chat with us:  
[schroff.nvent.com](https://schroff.nvent.com)



Our powerful portfolio of brands:  
[nVent.com](https://nVent.com) **CADDY ERICO HOFFMAN RAYCHEM SCHROFF TRACER**