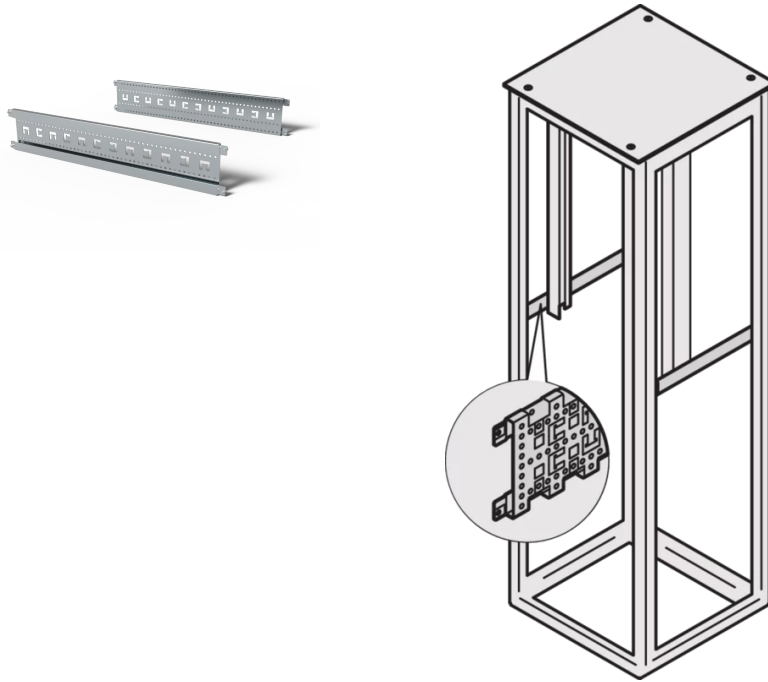




SCHROFF

24630-115 VARISTAR CP DEPTH MEMBER, SEISMIC, 1200D, GALVANIZED



KEY FEATURES

Cable routing facilitated using cable ties and cable eyes, required for recessed shelf

St, 2 mm, finish AlZn

PRODUCT ATTRIBUTES

Product Type: Bracket

Product Family: Varistar CP

Works With: Varistar CP

Material: Steel

Finish: Aluminum-Zinc Plated

Depth: 1200 mm

Package Quantity: 2

Complies With: IEC 61587-1; IEC 61587-2

ADDITIONAL PRODUCT DETAILS

Horizontal depth member in the cabinet depth. Mounted directly at the Varistar CP frame for cable management, increased frame stiffness and additional fixing points.

Please purchase the grounding kit separately.

North America

All locations
+1.763.422.2661
Chat with us:
schroff.nvent.com

Europe

Straubenhardt, Germany
+49.7082.794.0
Betschdorf, France
+33.3.88.90.64.90
Warsaw, Poland
+48.22.209.98.35
Assago, Italy
+39.02.932.7141
Chat with us:
schroff.nvent.com

Asia

Shanghai, China
+86.21.2412.6943
Qingdao, China
+86.532.8771.6101
Singapore
+65.6768.5800
Shin-Yokohama, Japan
+81.45.476.0271
Chat with us:
schroff.nvent.com

Middle East & India

Dubai, United Arab Emirates
+971.4.378.1700
Bangalore, India
+91.80.6715.2001
Istanbul, Turkey
+90.216.250.7374
Chat with us:
schroff.nvent.com



Our powerful portfolio of brands:
nVent.com **CADDY ERICO HOFFMAN RAYCHEM SCHROFF TRACER**

© 2024 nVent. All nVent marks and logos are owned or licensed by nVent Services GmbH or its affiliates. All other trademarks are the property of their respective owners.

nVent reserves the right to change specifications without notice.