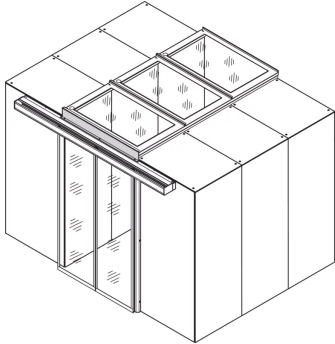


## 21630-164 AISLE CONTAINMENT DOOR ADAPTER PANEL, FOR 52 U RACK WITH ADJUSTABLE FEET, RAL 7021



### KEY FEATURES

---

Cover to close gaps above the containment door

### PRODUCT ATTRIBUTES

---

Product Type: Cover

Type: Above Door Filler Panel, Sliding Door

Works With: Aisle Containment

Width: 1200 mm

Material: Steel

Color: Black Grey

Color Code: RAL 7021

### ADDITIONAL PRODUCT DETAILS

---

Blanking panels for different aisle containment heights to avoid air leakage at aisle.

Trim covers upper area over door to the top cover.

### North America

All locations

+1.763.422.2661

Chat with us:

[schroff.nvent.com](https://schroff.nvent.com)

### Europe

Straubenhardt, Germany

+49.7082.794.0

Betschdorf, France

+33.3.88.90.64.90

Warsaw, Poland

+48.22.209.98.35

Assago, Italy

+39.02.932.7141

Chat with us:

[schroff.nvent.com](https://schroff.nvent.com)

### Asia

Shanghai, China

+86.21.2412.6943

Qingdao, China

+86.532.8771.6101

Singapore

+65.6768.5800

Shin-Yokohama, Japan

+81.45.476.0271

Chat with us:

[schroff.nvent.com](https://schroff.nvent.com)

### Middle East & India

Dubai, United Arab Emirates

+971.4.378.1700

Bangalore, India

+91.80.6715.2001

Istanbul, Turkey

+90.216.250.7374

Chat with us:

[schroff.nvent.com](https://schroff.nvent.com)



Our powerful portfolio of brands:  
[nVent.com](https://nVent.com) **CADDY ERICO HOFFMAN RAYCHEM SCHROFF TRACER**

© 2024 nVent. All nVent marks and logos are owned or licensed by nVent Services GmbH or its affiliates. All other trademarks are the property of their respective owners.

nVent reserves the right to change specifications without notice.