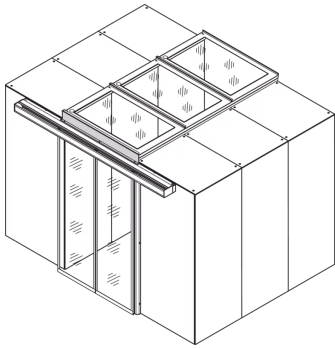


21130-059 AISLE CONTAINMENT DOOR ADAPTER PANEL, 165H, RAL 7021



KEY FEATURES

Cover to close gaps above the containment door

PRODUCT ATTRIBUTES

Product Type: Cover

Type: Above Door Filler Panel, Sliding Door

Works With: Aisle Containment

Height: 192 mm

Width: 1200 mm

Material: Steel

Color: Black Grey

Color Code: RAL 7021

ADDITIONAL PRODUCT DETAILS

Blanking panels for different aisle containment heights to avoid air leakage at aisle.

Trim covers upper area over door to the top cover.



North America

All locations
+1.763.422.2661
Chat with us:
schroff.nvent.com

Europe

Straubenhardt, Germany
+49.7082.794.0
Betschdorf, France
+33.3.88.90.64.90
Warsaw, Poland
+48.22.209.98.35
Assago, Italy
+39.02.932.7141
Chat with us:
schroff.nvent.com

Asia

Shanghai, China
+86.21.2412.6943
Qingdao, China
+86.532.8771.6101
Singapore
+65.6768.5800
Shin-Yokohama, Japan
+81.45.476.0271
Chat with us:
schroff.nvent.com

Middle East & India

Dubai, United Arab Emirates
+971.4.378.1700
Bangalore, India
+91.80.6715.2001
Istanbul, Turkey
+90.216.250.7374
Chat with us:
schroff.nvent.com



Our powerful portfolio of brands:
nVent.com **CADDY ERICO HOFFMAN RAYCHEM SCHROFF TRACER**