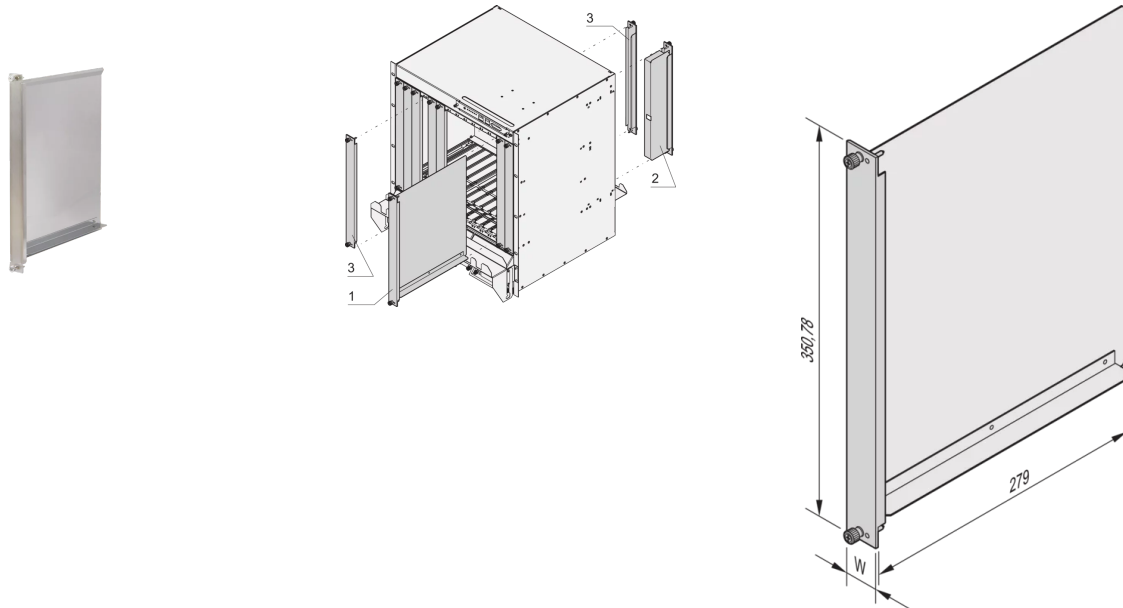


21596-008 ADVANCEDTCA AIR DEFLECTOR 280 MM, WITH AIR BAFFLE, AL PROFILE, 8 U, 6 HP



**KEY FEATURES**

Air baffle blocks the air in unused slots

**PRODUCT ATTRIBUTES**

Product Type: Air Baffle

Product Family: AdvancedTCA

Type: Filler Panel

Works With: Systems

Rack Height: 8 U

Rack Width: 6 HP

Depth: 280 mm

EMC Shielding: Yes

Material: Aluminum

## ADDITIONAL PRODUCT DETAILS

---

AdvancedTCA Air Deflector Filler Panel. Blocks the air in unused slots.

## CERTIFICATIONS

---



### North America

All locations  
+1.763.422.2661  
Chat with us:  
[schroff.nvent.com](https://schroff.nvent.com)

### Europe

Straubenhardt, Germany  
+49.7082.794.0  
Betschdorf, France  
+33.3.88.90.64.90  
Warsaw, Poland  
+48.22.209.98.35  
Assago, Italy  
+39.02.932.7141  
Chat with us:  
[schroff.nvent.com](https://schroff.nvent.com)

### Asia

Shanghai, China  
+86.21.2412.6943  
Qingdao, China  
+86.532.8771.6101  
Singapore  
+65.6768.5800  
Shin-Yokohama, Japan  
+81.45.476.0271  
Chat with us:  
[schroff.nvent.com](https://schroff.nvent.com)

### Middle East & India

Dubai, United Arab Emirates  
+971.4.378.1700  
Bangalore, India  
+91.80.6715.2001  
Istanbul, Turkey  
+90.216.250.7374  
Chat with us:  
[schroff.nvent.com](https://schroff.nvent.com)



Our powerful portfolio of brands:  
[nVent.com](https://nVent.com) **CADDY ERICO HOFFMAN RAYCHEM SCHROFF TRACER**

© 2024 nVent. All nVent marks and logos are owned or licensed by nVent Services GmbH or its affiliates. All other trademarks are the property of their respective owners.

nVent reserves the right to change specifications without notice.