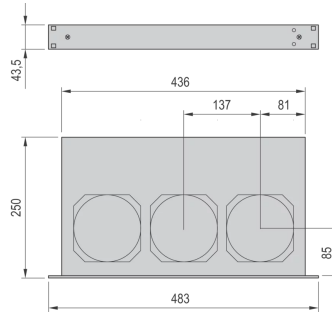


19713-121 19" FAN UNIT, 1 U, SPEED CONTROL AND MONITORING, 3 FANS, 230 VAC



KEY FEATURES

- Range selectable: 20 ... 40 °C and 30 ... 50 °C
- Low noise through temperature dependent air flow
- External sensor, max speed is default failure state
- Function control with LEDs and via dry contact
- Contact protection in accordance with DIN EN ISO 13857

PRODUCT ATTRIBUTES

- Product Type: Fan Unit
- Input Voltage AC: 230 V

ADDITIONAL PRODUCT DETAILS

Fan Unit for installation into a 1 U space within the Cabinet.

CERTIFICATIONS





North America

All locations

+1.763.422.2661

Chat with us:

schroff.nvent.com

Europe

Straubenhardt, Germany

+49.7082.794.0

Betschdorf, France

+33.3.88.90.64.90

Warsaw, Poland

+48.22.209.98.35

Assago, Italy

+39.02.932.7141

Chat with us:

schroff.nvent.com

Asia

Shanghai, China

+86.21.2412.6943

Qingdao, China

+86.532.8771.6101

Singapore

+65.6768.5800

Shin-Yokohama, Japan

+81.45.476.0271

Chat with us:

schroff.nvent.com

Middle East & India

Dubai, United Arab Emirates

+971.4.378.1700

Bangalore, India

+91.80.6715.2001

Istanbul, Turkey

+90.216.250.7374

Chat with us:

schroff.nvent.com



Our powerful portfolio of brands:
nVent.com **CADDY ERICO HOFFMAN RAYCHEM SCHROFF TRACER**

© 2024 nVent. All nVent marks and logos are owned or licensed by nVent Services GmbH or its affiliates. All other trademarks are the property of their respective owners.

nVent reserves the right to change specifications without notice.