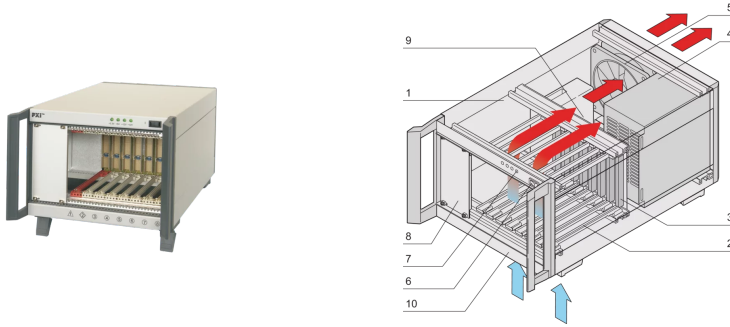


14579-008 PXI SYSTEM WITH ATX PSU, 4 U, 8 SLOTS, 44 HP



KEY FEATURES

System in accordance with IEC 60297-3-101, -102, -103; IEEE 1101.1, 1101.10/11); Backplane, conforms to PICMG rev. 3.0 and PXI 2.0

PXI desktop chassis, 4 U, 44 HP with vertical card cage. Board format Front: 3U, 160 mm

Backplane, 8 slot, 3 HE, 64 bit, System slot left

Heat dissipation with airflow bottom to rear

ATX power supply 400 W, wide-range AC input with power switch on rear

Backplane with clock switching internal / external

PRODUCT ATTRIBUTES

Number of Slots: 8

Type: Desktop

Backplane Type: 3 U CompactPCI with PXIbus

Data Transfer: 64-bit PCI Bus

Power per Slot: 30 W

Input Voltage AC: 100 – 240 V

Airflow Direction: Bottom to Rear

Rack Height: 4 U

Power Supply Type: Open Frame

Power Supply Included: Yes

Rear I/O: No

Complies With: PXISA PXI-1 R2.0

Depth: 355 mm

ADDITIONAL PRODUCT DETAILS

PXI Desktop Chassis with vertical Card Cage for eight 3 U Boards and built in Power Supply.

Modified systems available on request.

CERTIFICATIONS



North America

All locations
+1.763.422.2661
Chat with us:
schroff.nvent.com

Europe

Straubenhardt, Germany
+49.7082.794.0
Betschdorf, France
+33.3.88.90.64.90
Warsaw, Poland
+48.22.209.98.35
Assago, Italy
+39.02.932.7141
Chat with us:
schroff.nvent.com

Asia

Shanghai, China
+86.21.2412.6943
Qingdao, China
+86.532.8771.6101
Singapore
+65.6768.5800
Shin-Yokohama, Japan
+81.45.476.0271
Chat with us:
schroff.nvent.com

Middle East & India

Dubai, United Arab Emirates
+971.4.378.1700
Bangalore, India
+91.80.6715.2001
Istanbul, Turkey
+90.216.250.7374
Chat with us:
schroff.nvent.com



Our powerful portfolio of brands:
nVent.com **CADDY ERICO HOFFMAN RAYCHEM SCHROFF TRACER**

© 2024 nVent. All nVent marks and logos are owned or licensed by nVent Services GmbH or its affiliates. All other trademarks are the property of their respective owners.

nVent reserves the right to change specifications without notice.