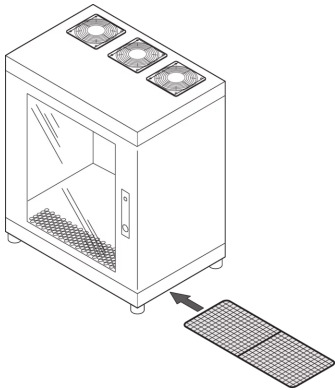




SCHROFF

21236-103 EPCASE AIR FILTER KIT FOR 19" 300-400D CASE (X3)



KEY FEATURES

Filter class G3

Assembly beneath the case, easy filter replacement

Filtering of the inlet air at the case bottom

PRODUCT ATTRIBUTES

Product Type: Filter

Product Family: Epcase

Type: Air Filter Kit

ADDITIONAL PRODUCT DETAILS

Air Filter Kit for 10" and 19" wallmount enclosure allows ventilation for passive cooling. The filter used is G3 class and is easy to replace.

CERTIFICATIONS





North America

All locations

+1.763.422.2661

Chat with us:

schroff.nvent.com

Europe

Straubenhardt, Germany

+49.7082.794.0

Betschdorf, France

+33.3.88.90.64.90

Warsaw, Poland

+48.22.209.98.35

Assago, Italy

+39.02.932.7141

Chat with us:

schroff.nvent.com

Asia

Shanghai, China

+86.21.2412.6943

Qingdao, China

+86.532.8771.6101

Singapore

+65.6768.5800

Shin-Yokohama, Japan

+81.45.476.0271

Chat with us:

schroff.nvent.com

Middle East & India

Dubai, United Arab Emirates

+971.4.378.1700

Bangalore, India

+91.80.6715.2001

Istanbul, Turkey

+90.216.250.7374

Chat with us:

schroff.nvent.com



Our powerful portfolio of brands:
nVent.com **CADDY ERICO HOFFMAN RAYCHEM SCHROFF TRACER**

© 2024 nVent. All nVent marks and logos are owned or licensed by nVent Services GmbH or its affiliates. All other trademarks are the property of their respective owners.

nVent reserves the right to change specifications without notice.