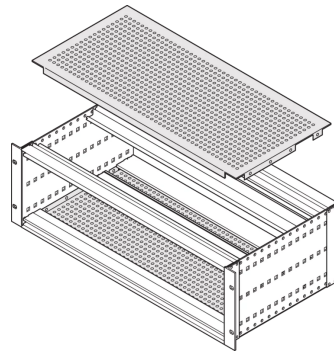
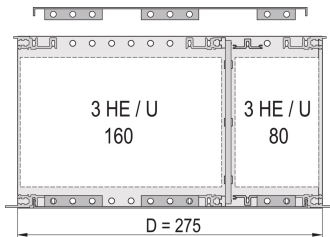


24563-662 EUROPACPRO ADVANCED EMC 45 TOP AND BOTTOM COVERS, SCREWED TO SIDE PANEL, Ø 2.3MM, 63 HP, 275 MM



KEY FEATURES

Top and bottom covers with EMC and airflow optimized perforation, fulfills the requirements of the fire safety standard EN 62368-1, perforation diameter \varnothing 2.3mm, degree 50%

For variable positioning of horizontal rails e.g. for PCBs with standard formats

Cover plate for bolting to the side panel

Suitable for use with all horizontal rails, besides Rugged

PRODUCT ATTRIBUTES

Product Type: Cover Plate

Product Family: EuropacPRO

Type: Perforated

Rack Width: 63 HP

Depth: 275 mm

Package Quantity: 1

Package Unit: Pair

ADDITIONAL PRODUCT DETAILS

A cover plate is used for electromagnetic shielding or as mechanical protection. The cover can be screwed onto the side panel.



North America

All locations
+1.763.422.2661
Chat with us:
schroff.nvent.com

Europe

Straubenhardt, Germany
+49.7082.794.0
Betschdorf, France
+33.3.88.90.64.90
Warsaw, Poland
+48.22.209.98.35
Assago, Italy
+39.02.932.7141
Chat with us:
schroff.nvent.com

Asia

Shanghai, China
+86.21.2412.6943
Qingdao, China
+86.532.8771.6101
Singapore
+65.6768.5800
Shin-Yokohama, Japan
+81.45.476.0271
Chat with us:
schroff.nvent.com

Middle East & India

Dubai, United Arab Emirates
+971.4.378.1700
Bangalore, India
+91.80.6715.2001
Istanbul, Turkey
+90.216.250.7374
Chat with us:
schroff.nvent.com



Our powerful portfolio of brands:
nVent.com **CADDY ERICO HOFFMAN RAYCHEM SCHROFF TRACER**