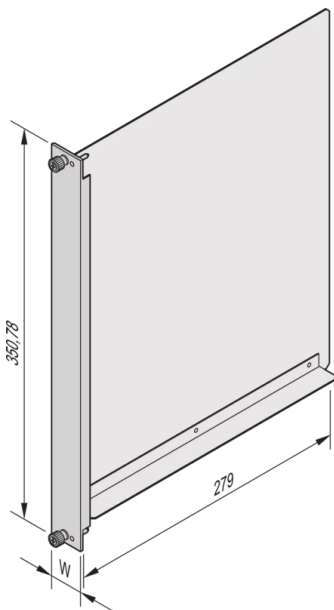
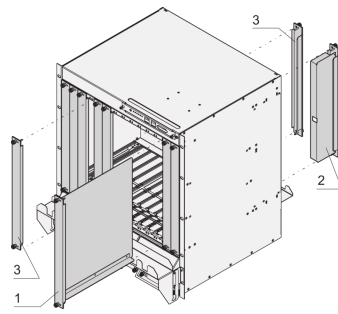
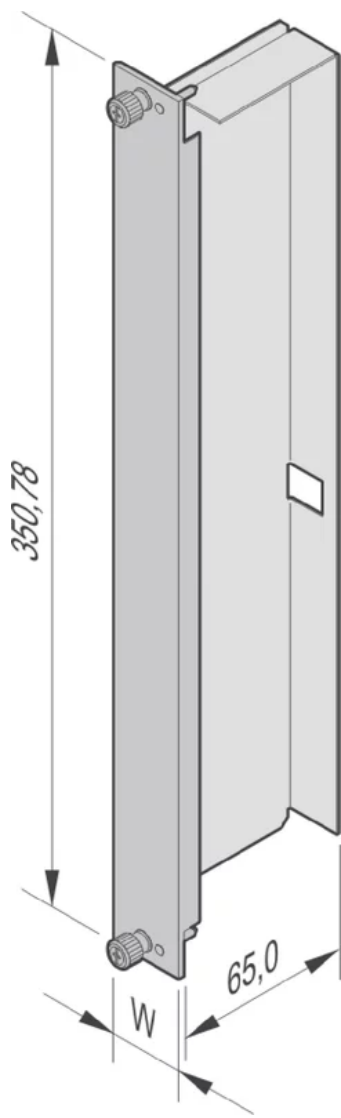




SCHROFF

21591-107 ADVANCEDTCA AIR DEFLECTOR 70 MM, WITH AIR BAFFLE, AL
PROFILE, 8 U, 6 HP



KEY FEATURES

Air baffle blocks the air in unused slots

PRODUCT ATTRIBUTES

Product Type: Air Baffle

Product Family: AdvancedTCA

Type: Filler Panel

Works With: Systems

Rack Height: 8 U

Rack Width: 6 HP

Depth: 70 mm

EMC Shielding: Yes

Material: Aluminum

ADDITIONAL PRODUCT DETAILS

AdvancedTCA Air Deflector Filler Panel, Rear. Blocks the air in unused slots.

CERTIFICATIONS



North America

All locations

+1.763.422.2661

Chat with us:

schroff.nvent.com

Europe

Straubenhardt, Germany

+49.7082.794.0

Betschdorf, France

+33.3.88.90.64.90

Warsaw, Poland

+48.22.209.98.35

Assago, Italy

+39.02.932.7141

Chat with us:

schroff.nvent.com

Asia

Shanghai, China

+86.21.2412.6943

Qingdao, China

+86.532.8771.6101

Singapore

+65.6768.5800

Shin-Yokohama, Japan

+81.45.476.0271

Chat with us:

schroff.nvent.com

Middle East & India

Dubai, United Arab Emirates

+971.4.378.1700

Bangalore, India

+91.80.6715.2001

Istanbul, Turkey

+90.216.250.7374

Chat with us:

schroff.nvent.com



Our powerful portfolio of brands:
nVent.com **CADDY ERICO HOFFMAN RAYCHEM SCHROFF TRACER**

© 2024 nVent. All nVent marks and logos are owned or licensed by nVent Services GmbH or its affiliates. All other trademarks are the property of their respective owners.

nVent reserves the right to change specifications without notice.