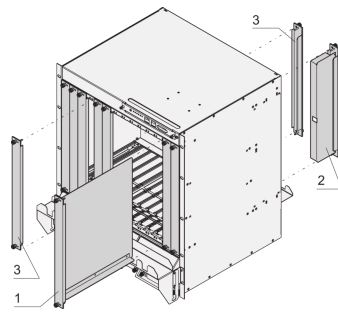
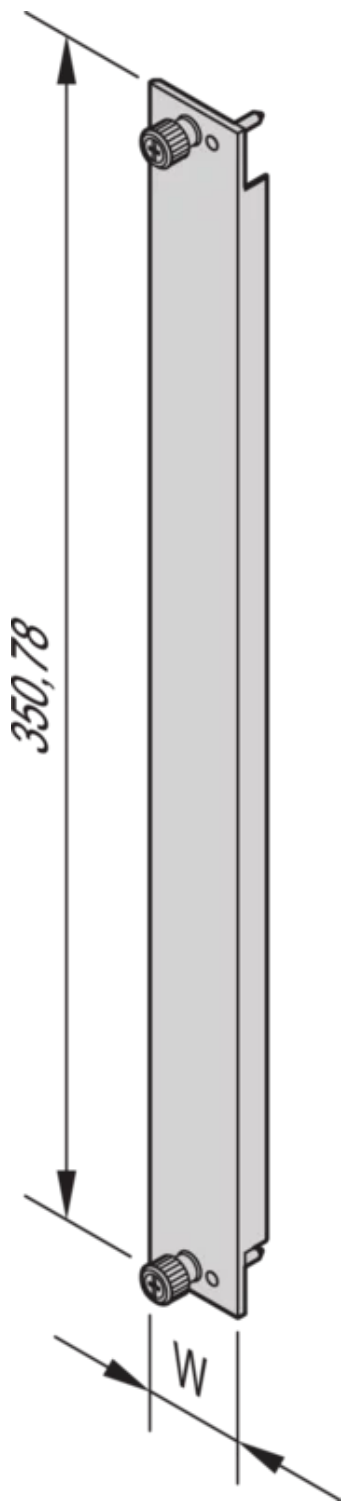




SCHROFF

21591-104 ADVANCEDTCA FILLER PANEL, WITHOUT AIR BAFFLE, 8 U, 6 HP, AL
PROFILE



KEY FEATURES

Front panels cover empty slots in a system, 8 U, 6 HP

PRODUCT ATTRIBUTES

Product Type: Front Panel

Type: Front Panel

Mounting: Screw-on Front

EMC Shielding: Yes

EMC Gasket Type: Textile

Material: Aluminum

Front Finish: Raw

Rear Finish: Raw

Rack Height: 8 U

Height: 350.78 mm

Rack Width: 6 HP

Width: 30.14 mm

Accessory Type: Front panel

Package Quantity: 1

Depth: 2.5 mm

ADDITIONAL PRODUCT DETAILS

Advanced TCA front panels cover empty slots in a system. The additional air baffle blocks and guide the air in the right direction.

CERTIFICATIONS



North America

All locations
+1.763.422.2661
Chat with us:
schroff.nvent.com

Europe

Straubenhardt, Germany
+49.7082.794.0
Betschdorf, France
+33.3.88.90.64.90
Warsaw, Poland
+48.22.209.98.35
Assago, Italy
+39.02.932.7141
Chat with us:
schroff.nvent.com

Asia

Shanghai, China
+86.21.2412.6943
Qingdao, China
+86.532.8771.6101
Singapore
+65.6768.5800
Shin-Yokohama, Japan
+81.45.476.0271
Chat with us:
schroff.nvent.com

Middle East & India

Dubai, United Arab Emirates
+971.4.378.1700
Bangalore, India
+91.80.6715.2001
Istanbul, Turkey
+90.216.250.7374
Chat with us:
schroff.nvent.com



Our powerful portfolio of brands:
nVent.com **CADDY ERICO HOFFMAN RAYCHEM SCHROFF TRACER**

© 2024 nVent. All nVent marks and logos are owned or licensed by nVent Services GmbH or its affiliates. All other trademarks are the property of their respective owners.

nVent reserves the right to change specifications without notice.